

MODEL 1050

AUV BRUSHLESS THRUSTERS

THRUST

30lbf (13kgf) forward thrust at 10 knots

45lbf (20kgf) forward at 5 knots

RH & LH stainless steel propeller options

INPUT

1.2kw input power

Voltage options between 48vdc-330vdc

+/-5v analog or RS485 digital speed control

WEIGHT

6-10.5lbs (2.7-4.8kg) in air

4-7lbs (1.8-3.2kg) in water

(Depending on configuration)

DEPTH RATING

2,800ft (850m) with 1 atm housings

Full ocean depth when oil filled (PBOF)

CONSTRUCTION

Available with hard anodized 6061-T6 aluminum

Type 316 stainless steel or

6Al4V titanium housings



PRODUCT FEATURES:

- Brushless DC motors for maximum performance & longevity.
- Magnetically coupled propeller drive eliminates all rotating shaft seals for optimum reliability.
- Direct drive thruster (Model 1055)
- 6/1 ration planetary gearbox & high rpm motor for compact design (Model 1050).
- 8 inch diameter open propeller designed for increased efficiency at various speeds.

*SPECIFICATIONS SUBJECT TO CHANGE WITHOUT NOTICE

Visit www.tecnadyne.com for product datasheets

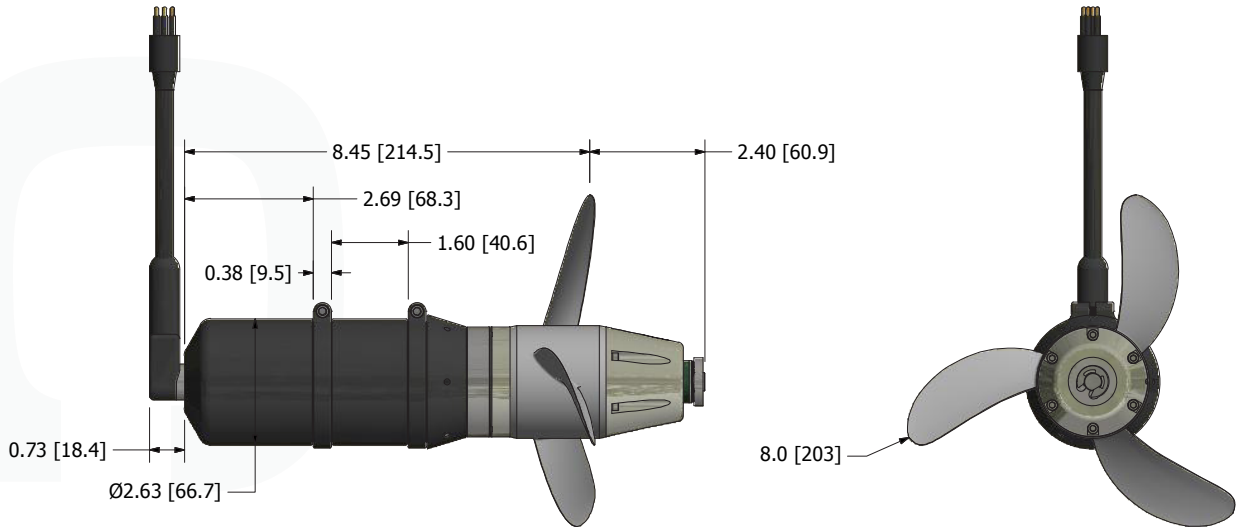
TECNADYNE[™]
THE LEADER IN SUBSEA PROPULSION

MODEL 1050

REPRESENTATIVE THRUSTER CONFIGURATIONS

MODEL 1050

1050-AAA-MCIL6M-XX-0850-AL-SCLX-1020M-G-RH



WEIGHTS

6.9lb [3.2kg] in air
4.2lb [2.0kg] in water

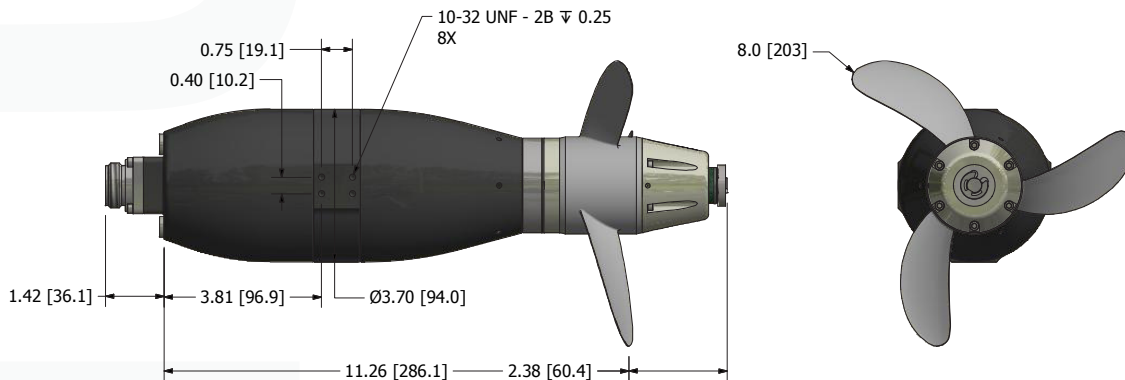
SCALE 1:4

MODEL 1055 - DIRECT DRIVE THRUSTER

REPRESENTATIVE THRUSTER CONFIGURATIONS

MODEL 1055

1055-AAA-MHDL8FCR-XX-0850-AL-SCLX-1060M-G-RH



WEIGHTS

11.5Lb [5.3kg] in air
8.2lb [3.8kg] in water

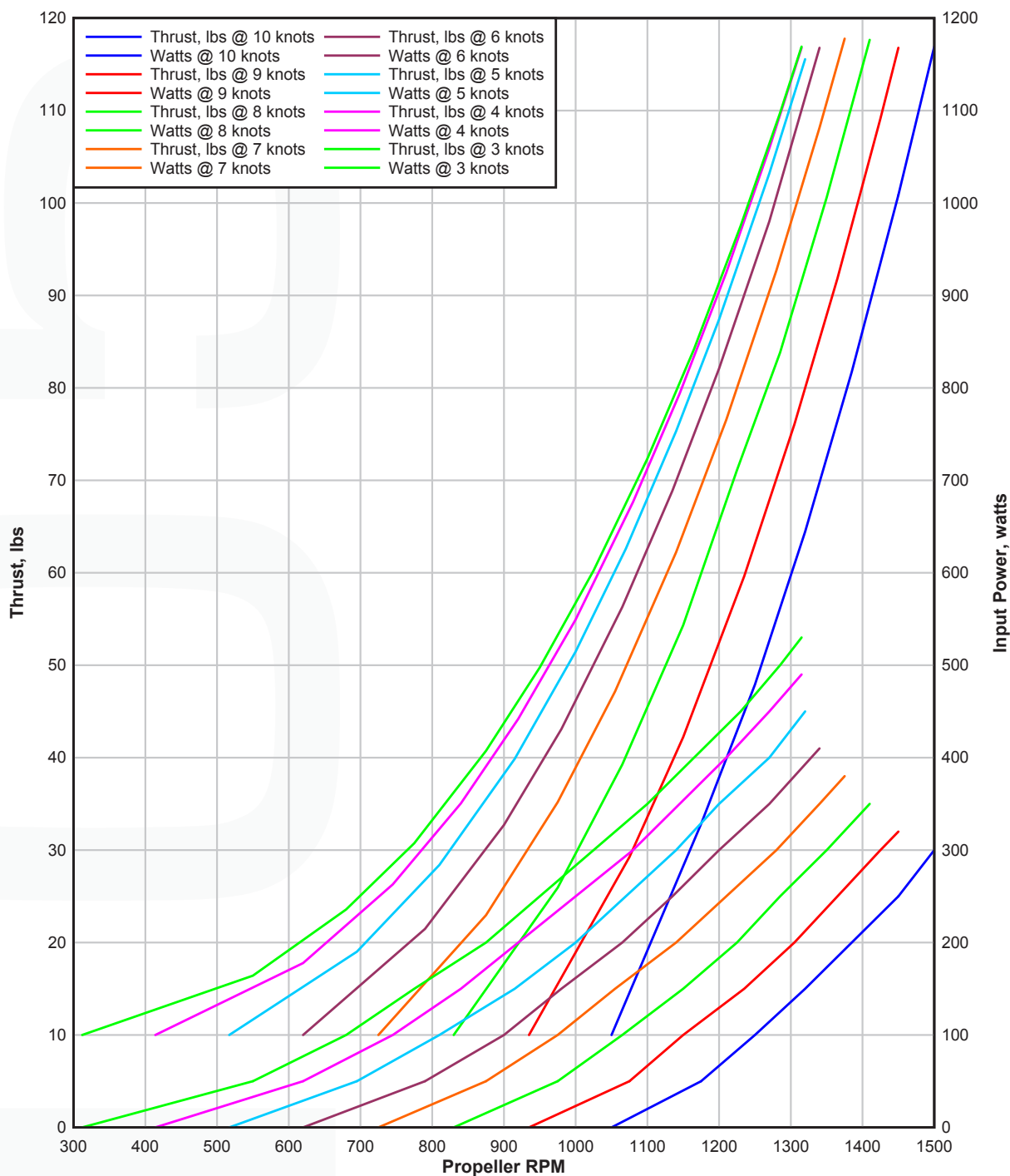
SCALE 1:4

*SPECIFICATIONS SUBJECT TO CHANGE WITHOUT NOTICE

MODEL 1050

THRUST PERFORMANCE CURVES

1050 Thruster, 8in. Open Propeller
Open Water Performance Data



*SPECIFICATIONS SUBJECT TO CHANGE WITHOUT NOTICE

Visit www.tecnadyne.com for application notes.