

MODEL 2050

AUV BRUSHLESS THRUSTERS

THRUST

140lbf (63kgf) forward thrust at 10 knots

250lbf (113kgf) forward at 5 knots

RH & LH stainless steel propeller options

INPUT

6.4kw input power

Voltage options between 150vdc-330vdc

+/-5v analog or RS485 digital speed control

WEIGHT

22.5-32lbs (10.2-14.5kg) in air

17-24lbs (7.7-11kg) in water

(Depending on configuration)

DEPTH RATING

2,460ft (750m) with 1 atm housings

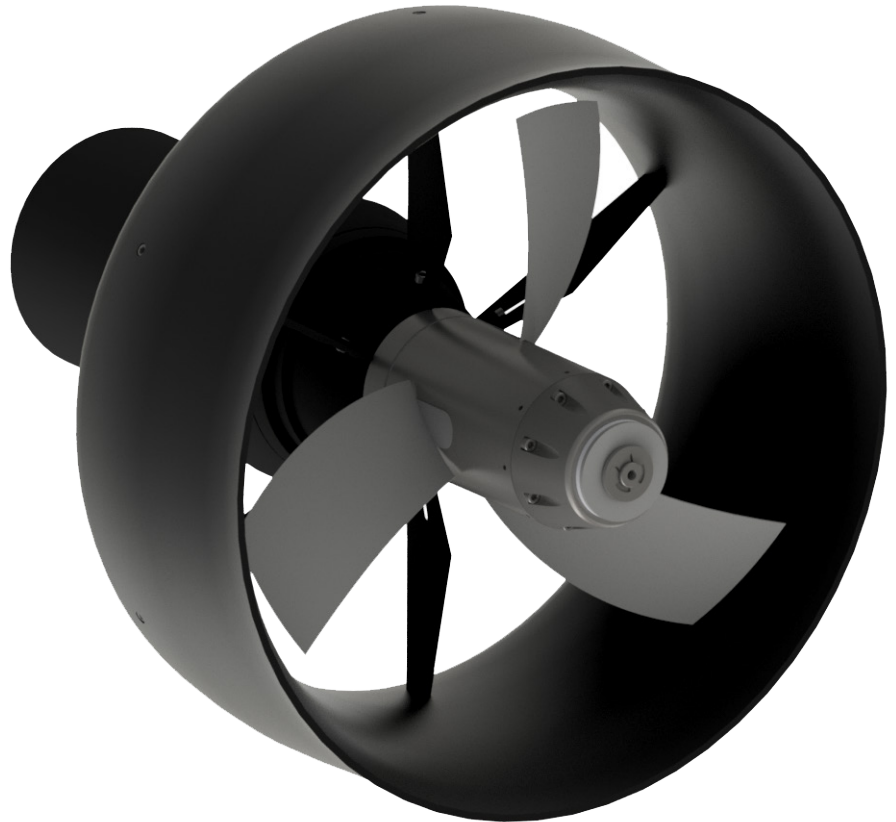
Full ocean depth when oil filled (PBOF)

CONSTRUCTION

Available with hard anodized 6061-T6 aluminum

Type 316 stainless steel or

6Al4V titanium housings



PRODUCT FEATURES:

- Brushless DC motors for maximum performance & longevity.
- Magnetically coupled propeller drive eliminates all rotating shaft seals for optimum reliability.
- 15.7/1 ratio planetary gearbox & high rpm motor for compact design.
- 15 inch diameter open propeller or 13 inch diameter ducted propeller designed for increased efficiency at various speeds.

*SPECIFICATIONS SUBJECT TO CHANGE WITHOUT NOTICE

Visit www.tecnadyne.com for product datasheets

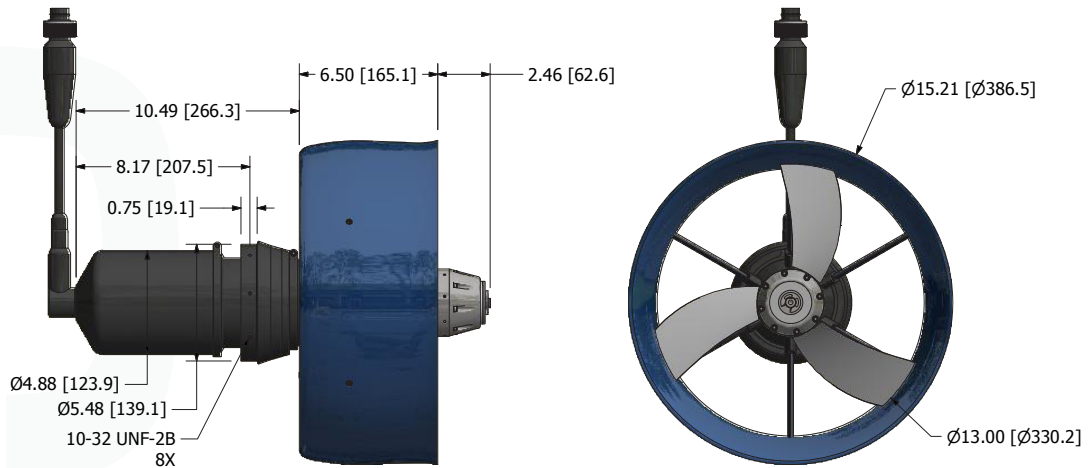
TECNADYNE[™]
THE LEADER IN SUBSEA PROPULSION

MODEL 2050-2060

REPRESENTATIVE THRUSTER CONFIGURATIONS

MODEL 2060

2050-AAA-XSL6CCP-XX-0750-AL-SCLX-NOZZ-G-RH

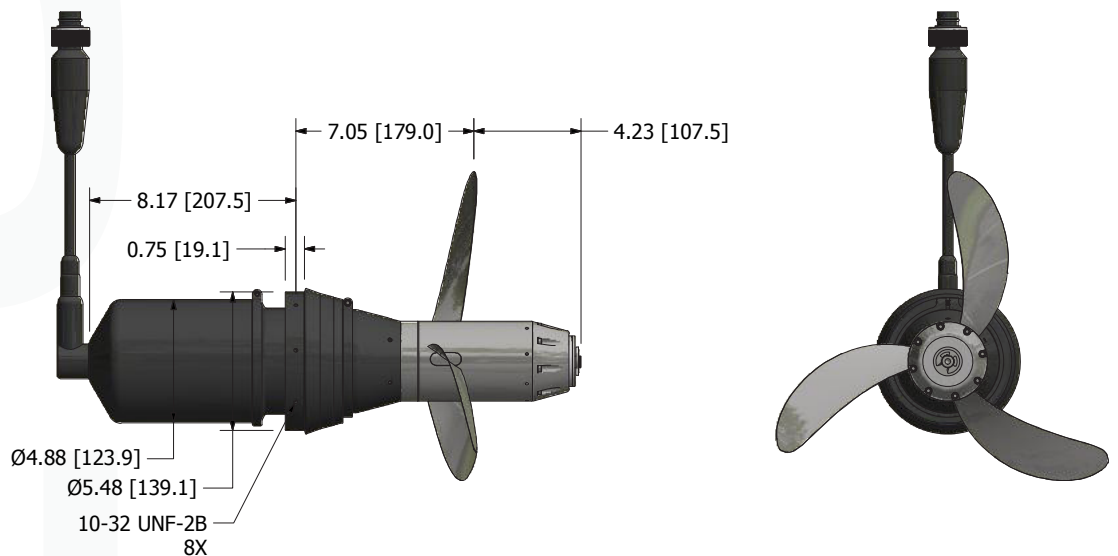


WEIGHTS
47b [19kg] in air
33b [15kg] in water

SCALE 1:8

MODEL 2050

2050-AAA-XSL6CCP-XX-0750-AL-SCLX-OPEN-G-RH



WEIGHTS
42b [19kg] in air
34b [16kg] in water

SCALE 1:8

*SPECIFICATIONS SUBJECT TO CHANGE WITHOUT NOTICE

Visit www.tecnadyne.com for application notes.

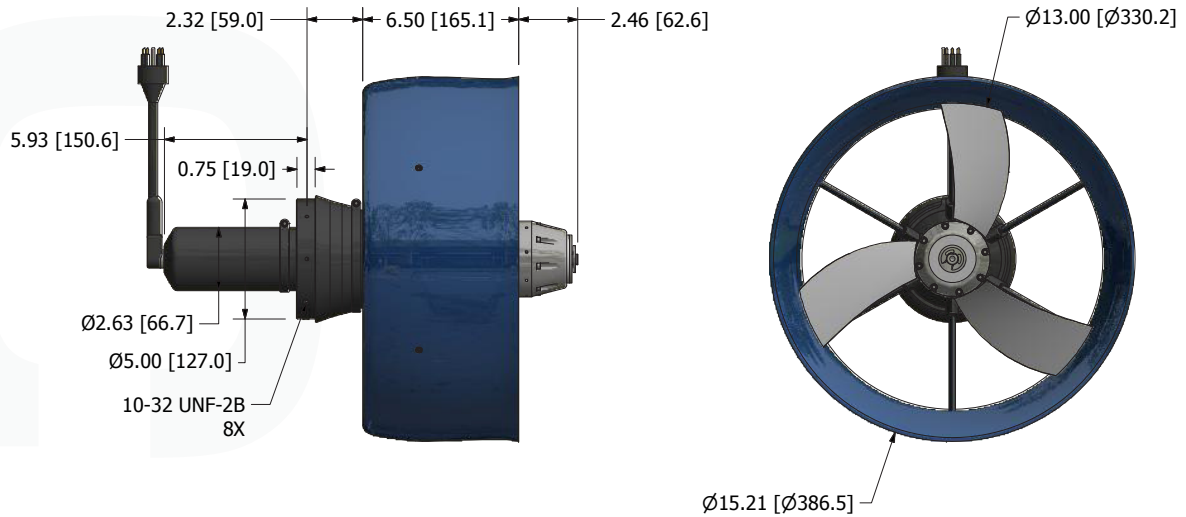
TECNADYNE
THE LEADER IN SUBSEA PROPULSION

MODEL 2051-2061

REPRESENTATIVE THRUSTER CONFIGURATIONS

MODEL 2061

2051-AAA-IL8MP-XX-0750-AL-SCLX-NOZZ-G-RH



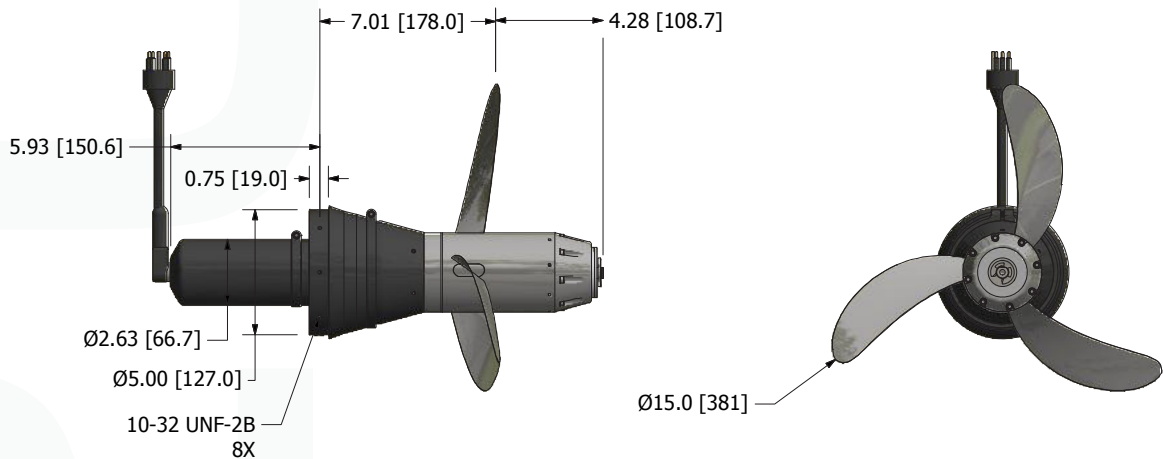
WEIGHTS

44b [20kg] in air
36b [16kg] in water

SCALE 1:8

MODEL 2051

2051-AAA-IL8MP-XX-0750-AL-SCLX-OPEN-G-RH



WEIGHTS

38lb [18kg] in air
31lb [14kg] in water

SCALE 1:8

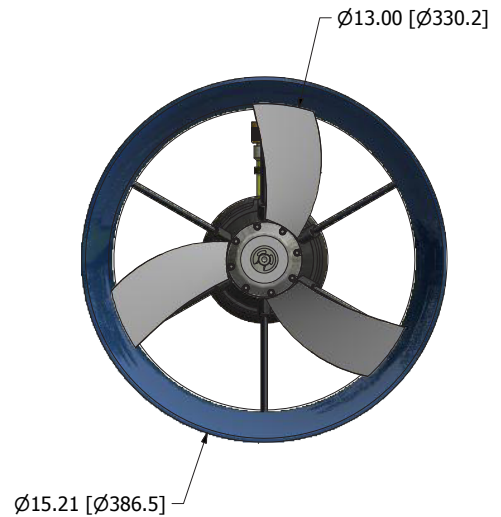
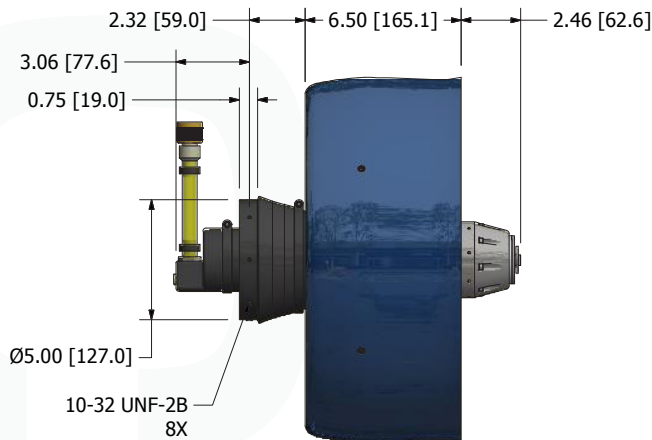
*SPECIFICATIONS SUBJECT TO CHANGE WITHOUT NOTICE

MODEL 2051-2061

REPRESENTATIVE THRUSTER CONFIGURATIONS

MODEL 2061

2051-AAA-MHDG8CCP-XX-OILFILL-AL-RLX-NOZZ-G-RH



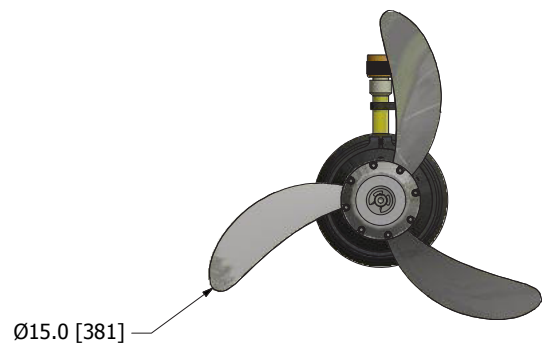
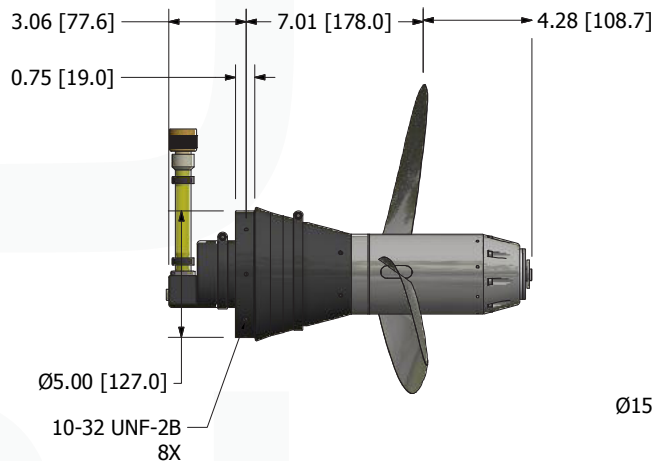
WEIGHTS

42lb [19kg] in air
36lb [15kg] in water

SCALE 1:8

MODEL 2051

2051-AAA-MHDG8CCP-XX-OILFILL-AL-RLX-OPEN-G-RH



WEIGHTS

36lb [17kg] in air
29lb [13kg] in water

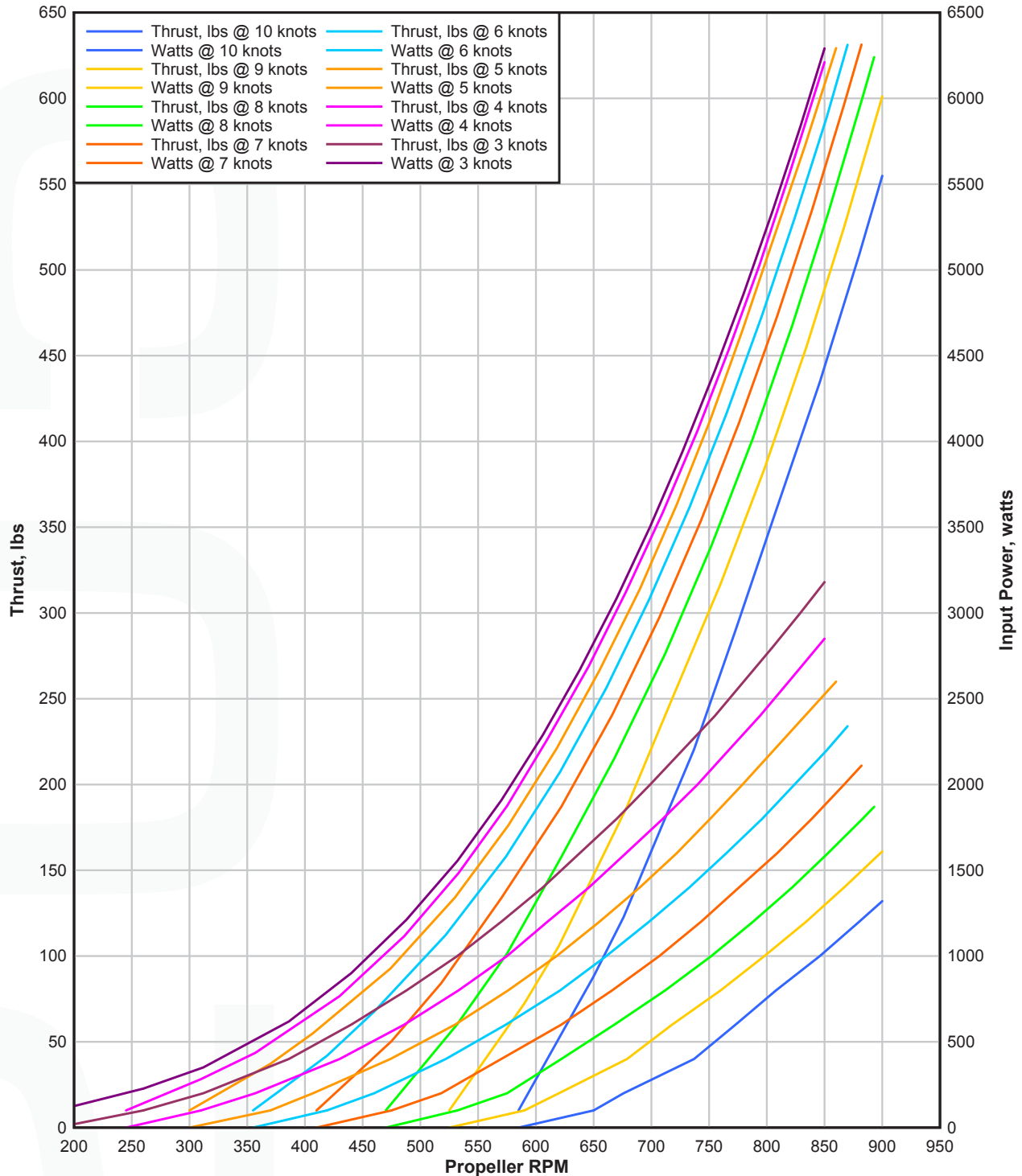
SCALE 1:8

*SPECIFICATIONS SUBJECT TO CHANGE WITHOUT NOTICE

MODEL 2050

THRUST PERFORMANCE CURVES

2050 Thruster, 13in. Ducted Propeller
Open Water Performance Data



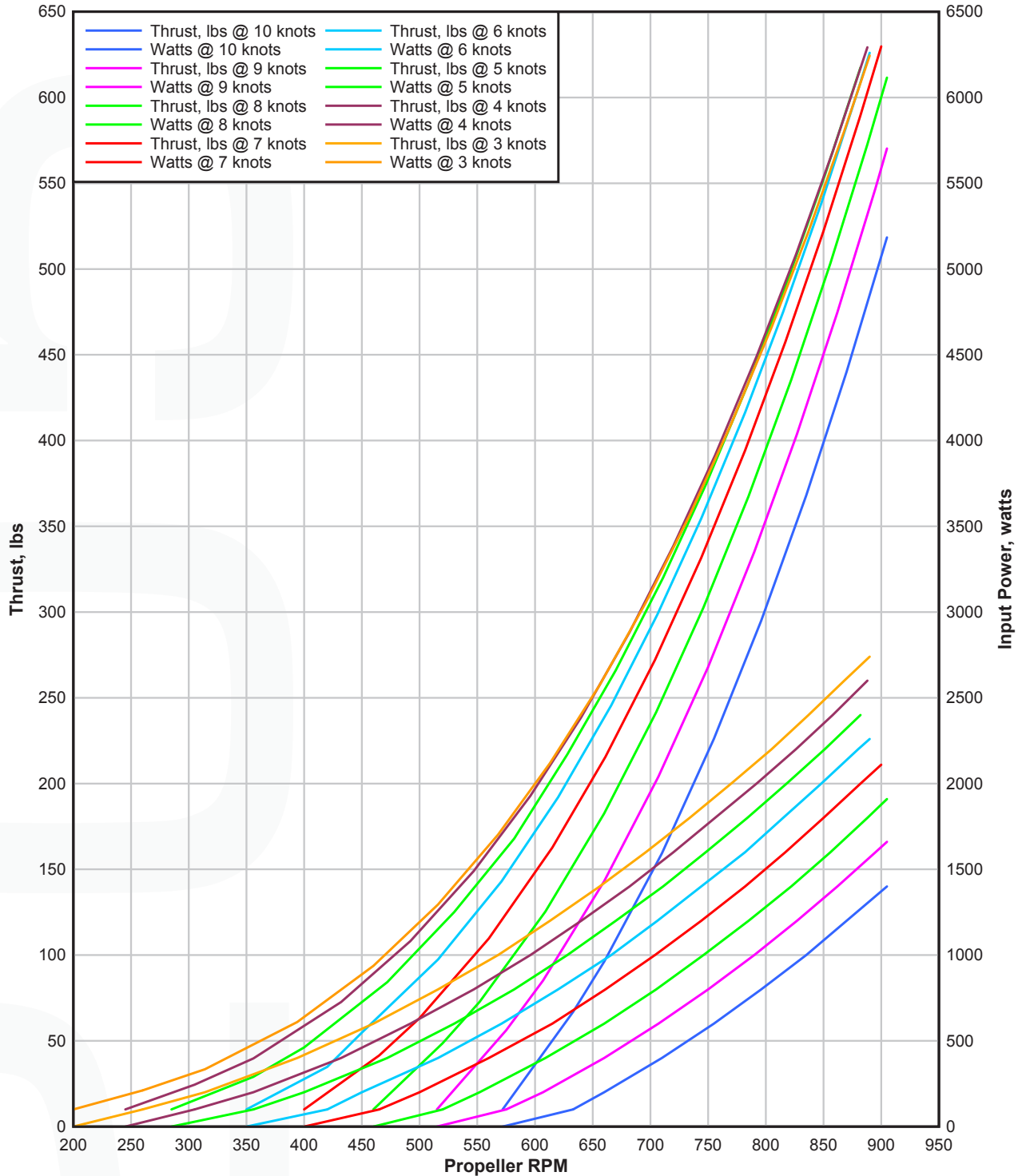
*SPECIFICATIONS SUBJECT TO CHANGE WITHOUT NOTICE

Visit www.tecnadyne.com for application notes.

MODEL 2050

THRUST PERFORMANCE CURVES

2050 Thruster, 15in. Open Propeller
Open Water Performance Data



*SPECIFICATIONS SUBJECT TO CHANGE WITHOUT NOTICE