

# MODEL 550

## AUV BRUSHLESS THRUSTERS

### THRUST

15lbf (10kgf) forward thrust at 10 knots

27lbf (12kgf) forward at 3 knots

RH & LH stainless steel propeller options

### INPUT

525w input power

Voltage options between 24vdc-260vdc

+/-5v analog or RS485 digital speed control

### WEIGHT

4-6lbs (1.8-2.7kg) in air

3-5lbs (1.4-2.3kg) in water

(Depending on configuration)

### DEPTH RATING

2,800ft (850m) with 1 atm housings

Full ocean depth when oil filled (PBOF)

### CONSTRUCTION

Available with hard anodized 6061-T6 aluminum

Type 316 stainless steel or

6Al4V titanium housings

### PRODUCT FEATURES:

- Brushless DC motors for maximum performance & longevity.
- Magnetically coupled propeller drive eliminates all rotating shaft seals for optimum reliability.
- Powerful direct drive DC brushless motors for low noise (Model 555).
- 6/1 ration planetary gear, assembled using hardened, high precision spur gears (Model 550).



\*SPECIFICATIONS SUBJECT TO CHANGE WITHOUT NOTICE

Visit [www.tecnadyne.com](http://www.tecnadyne.com) for product datasheets

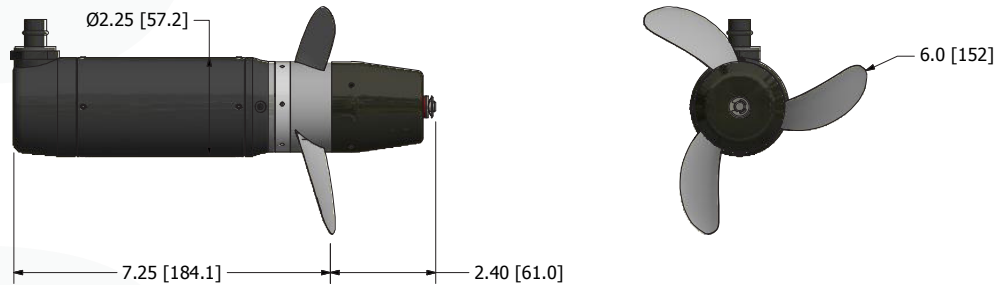
**TECNADYNE**<sup>™</sup>  
THE LEADER IN SUBSEA PROPULSION

# MODEL 550 - GEARED THRUSTER

## REPRESENTATIVE THRUSTER CONFIGURATIONS

### MODEL 550

550-AAA-LSG6BCL-XX-0850-AL-SCLX-GB-G-RH



**WEIGHTS**  
3.8Lb [1.7kg] in air  
2.3lb [1.1kg] in water

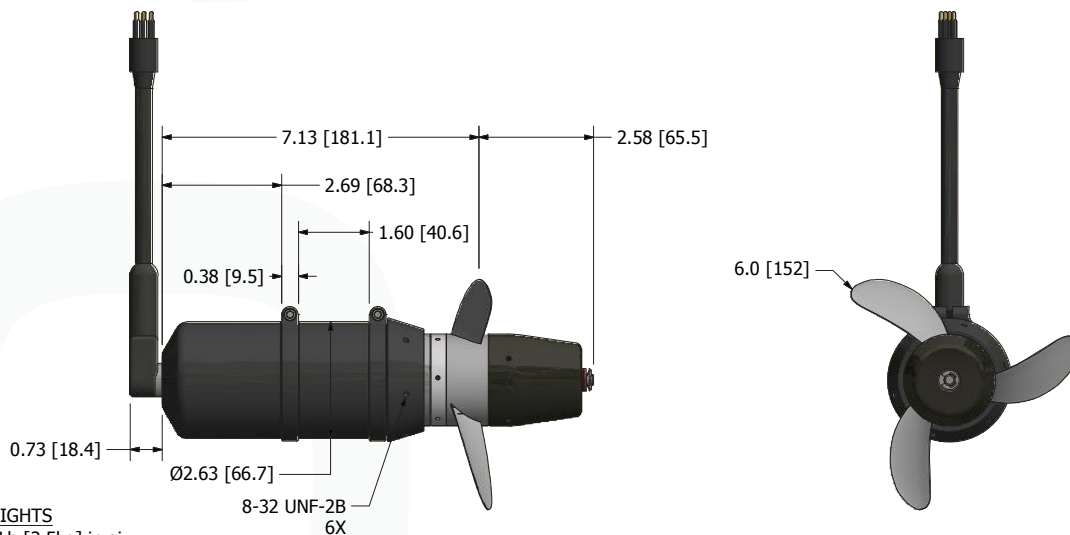
SCALE 1:4

# MODEL 555 - DIRECT DRIVE THRUSTER

## REPRESENTATIVE THRUSTER CONFIGURATIONS

### MODEL 555

555-AAA-MCIL6M-XX-0850-AL-SCLX-DD-G-RH



**WEIGHTS**  
5.5Lb [2.5kg] in air  
3.6lb [1.7kg] in water

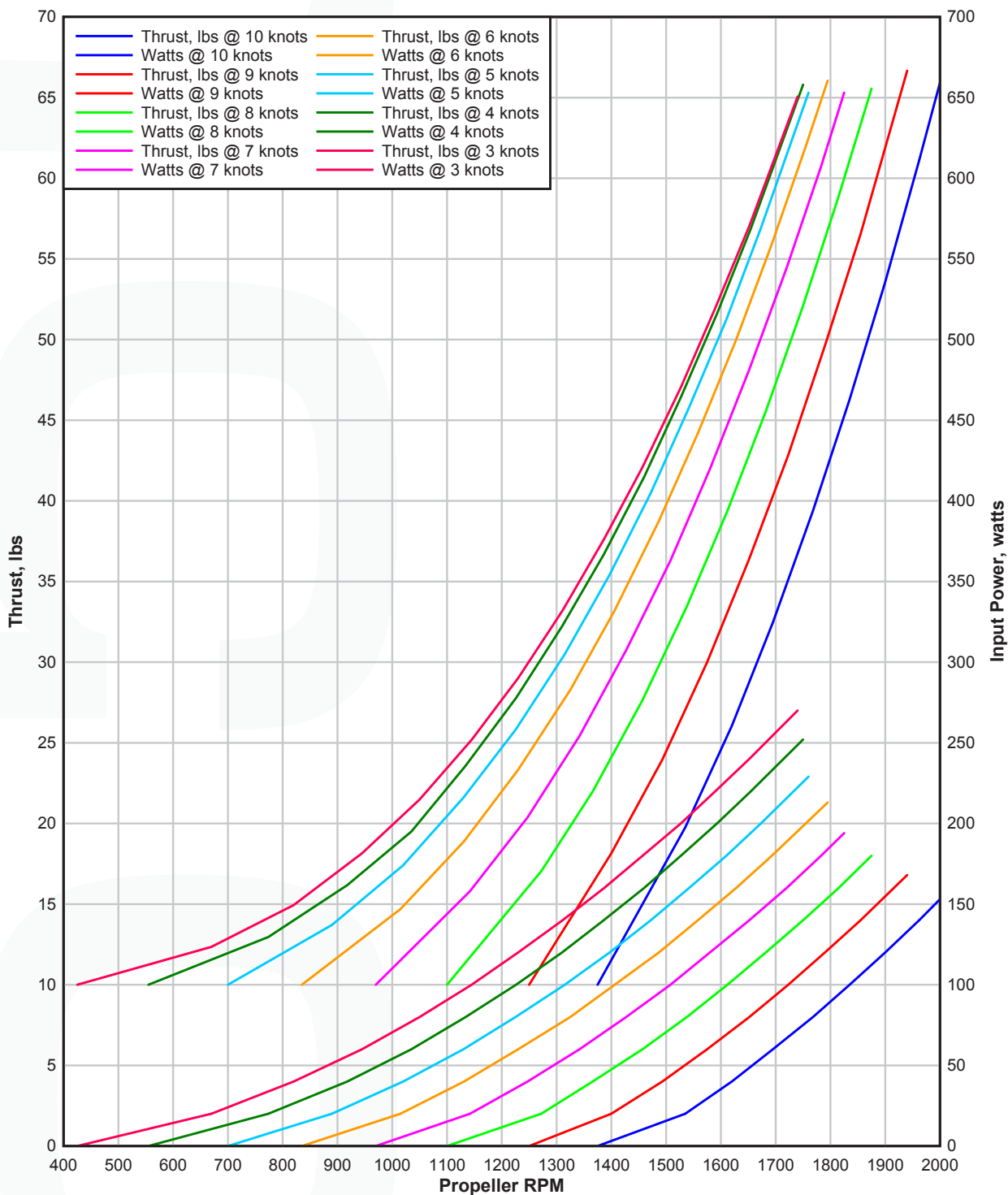
SCALE 1:4

\*SPECIFICATIONS SUBJECT TO CHANGE WITHOUT NOTICE

# MODEL 550

## THRUST PERFORMANCE CURVES

550 Thruster, 6in. Open Propeller  
Open Water Performance Data



\*SPECIFICATIONS SUBJECT TO CHANGE WITHOUT NOTICE