

# MODEL 8050

## AUV BRUSHLESS THRUSTERS

### THRUST

240lbf (108kgf) forward thrust at 10 knots

435lbf (197kgf) forward at 6 knots

RH & LH stainless steel propeller options

### INPUT

12.5kw input power

Voltage options between 150vdc-330vdc

+/-5v analog or RS485 digital speed control

### WEIGHT

87-104lbs (40-47kg) in air

69-86lbs (31-39kg) in water

(Depending on configuration)

### DEPTH RATING

2,460ft (750m) with 1 atm housings

Full ocean depth when oil filled (PBOF)

### CONSTRUCTION

Available with hard anodized 6061-T6 aluminum

Type 316 stainless steel or

6Al4V titanium housings



### PRODUCT FEATURES:

- Brushless DC motors for maximum performance & longevity.
- Magnetically coupled propeller drive eliminates all rotating shaft seals for optimum reliability.
- 15.7/1 ratio planetary gearbox & high rpm motor for compact design.
- 19.7 inch diameter open propeller or 17.5 inch diameter ducted propeller designed for increased efficiency at various speeds.

\*SPECIFICATIONS SUBJECT TO CHANGE WITHOUT NOTICE

Visit [www.tecnadyne.com](http://www.tecnadyne.com) for product datasheets

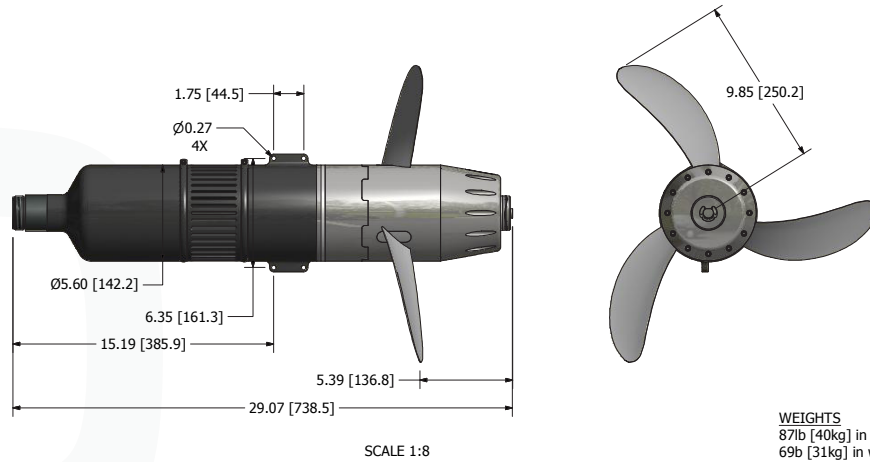
**TECNADYNE**<sup>™</sup>  
THE LEADER IN SUBSEA PROPULSION

# MODEL 8050

## REPRESENTATIVE THRUSTER CONFIGURATIONS

### MODEL 8050

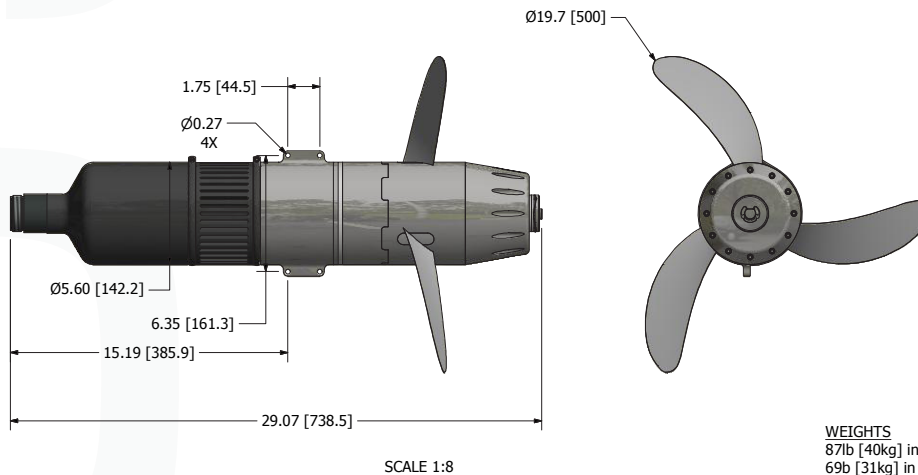
8050-AAA-MSAL22BCR-XX-0750-AL-SCLX-2T-G-RH



WEIGHTS  
87lb [40kg] in air  
69b [31kg] in water

### MODEL 8050

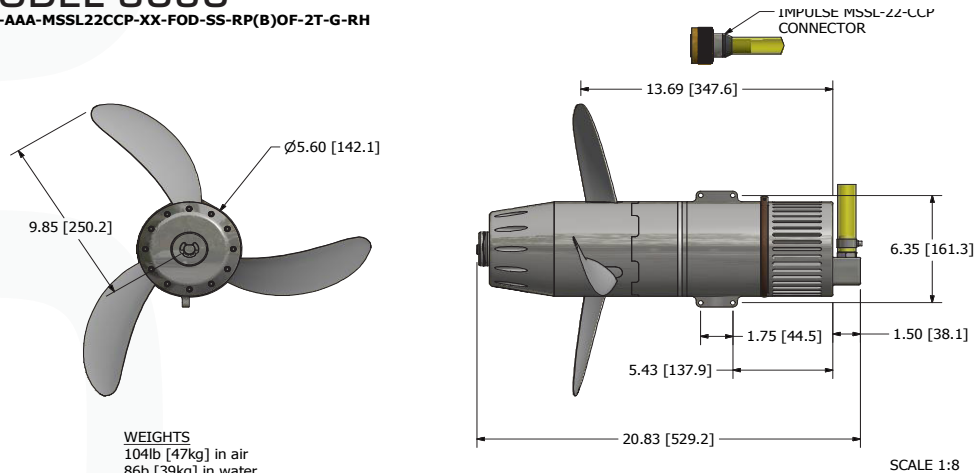
8050-AAA-MSAL22BCR-XX-0750-AL-SCLX-2T-G-RH



WEIGHTS  
87lb [40kg] in air  
69b [31kg] in water

### MODEL 8050

8050-AAA-MSSL22CCP-XX-FOD-SS-RP(B)OF-2T-G-RH



WEIGHTS  
104lb [47kg] in air  
86b [39kg] in water

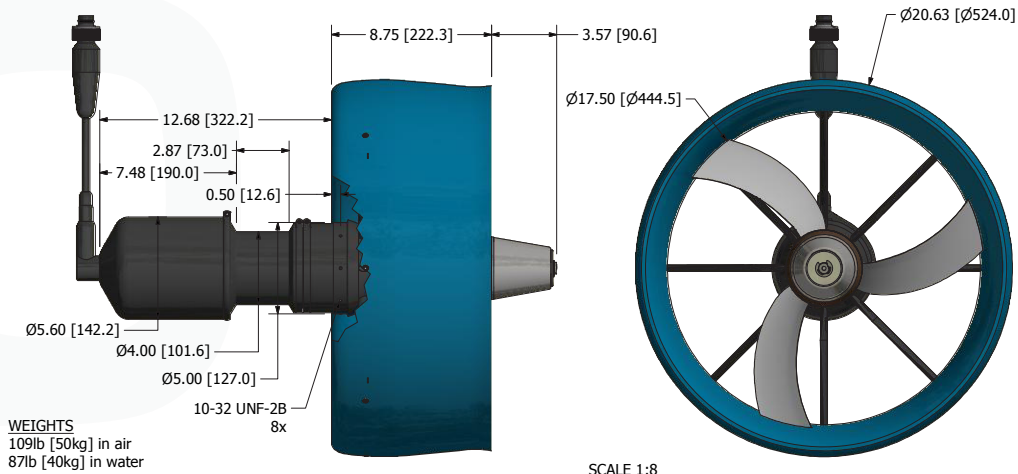
\*SPECIFICATIONS SUBJECT TO CHANGE WITHOUT NOTICE

# MODEL 8061

## REPRESENTATIVE THRUSTER CONFIGURATIONS

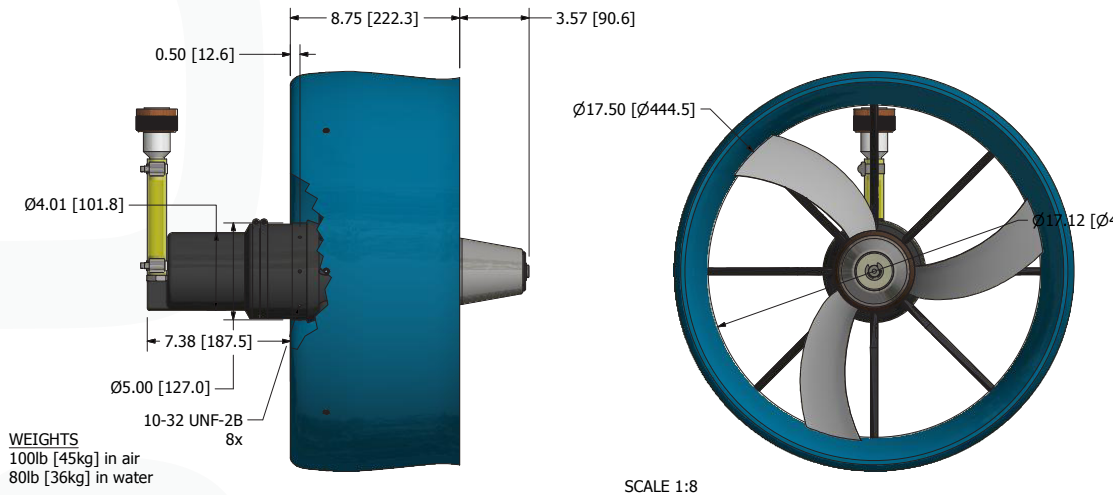
### MODEL 8061

8055-AAA-XSL6CCP-XX-0750-AL-SCLX-AUV-G-RH



### MODEL 8061

8055-AAA-MSAL18CCP-XX-OILFILL-AL-SCLX-AUV-G-RH

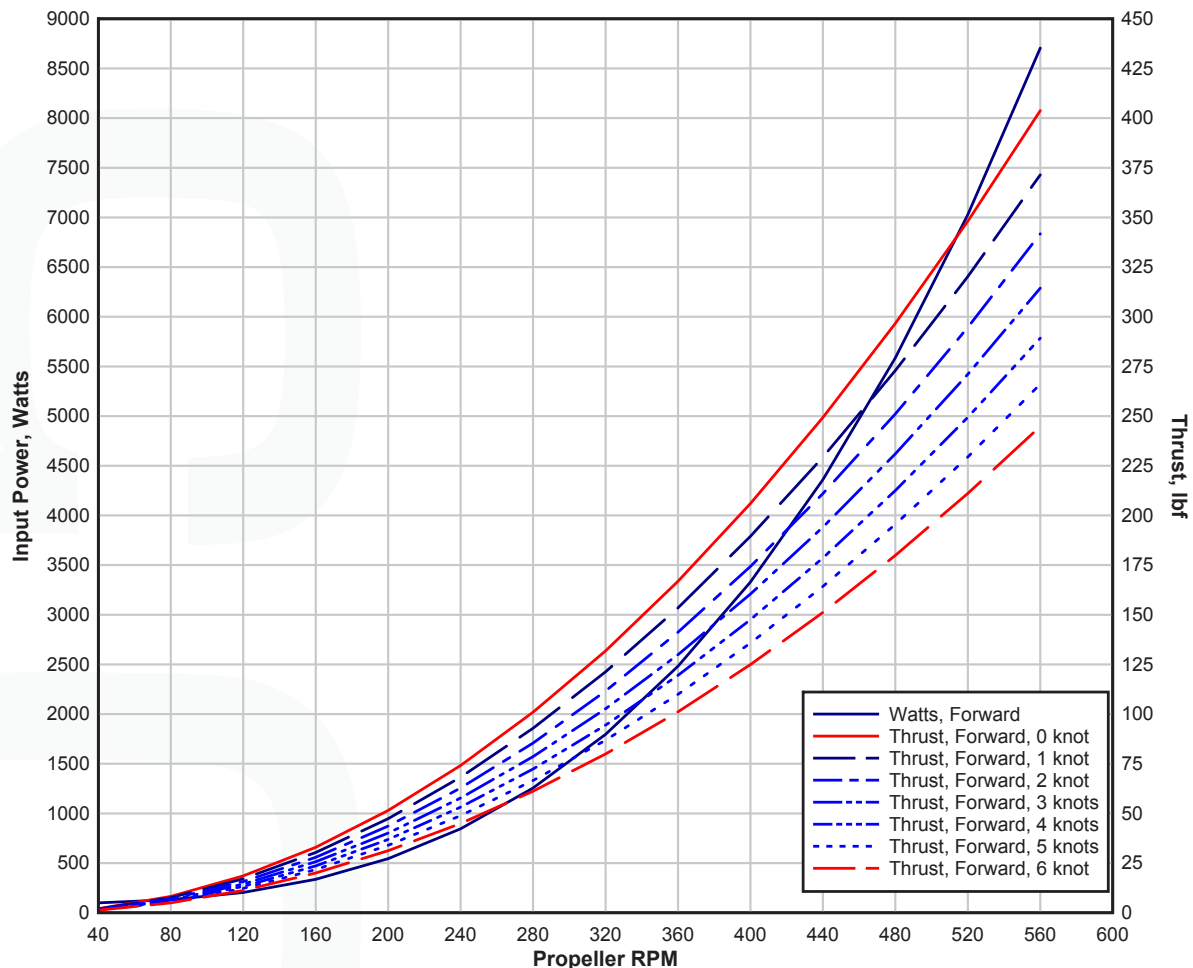


\*SPECIFICATIONS SUBJECT TO CHANGE WITHOUT NOTICE

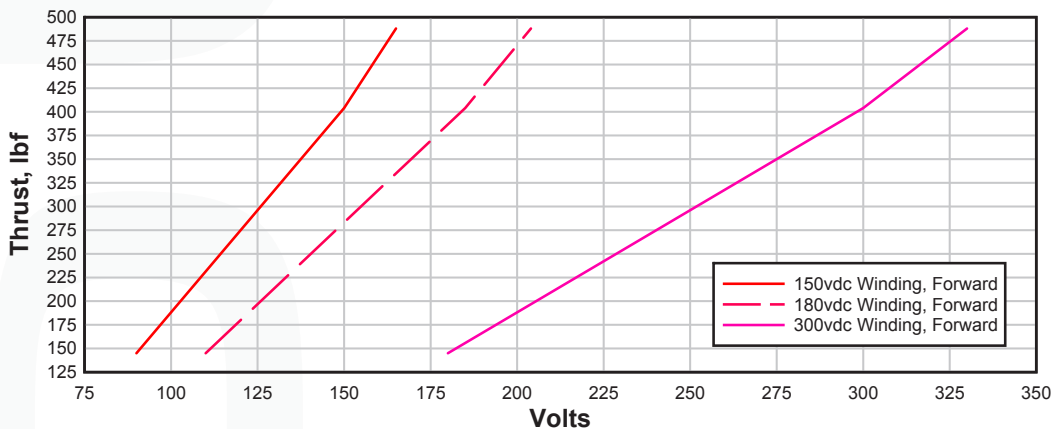
# MODEL 8050

## THRUST PERFORMANCE CURVES

Model 8050 Thruster  
Input Power & Forward Thrust vs. Propeller RPM



Model 8050 Thruster  
Forward Thrust vs. Voltage Change



\*SPECIFICATIONS SUBJECT TO CHANGE WITHOUT NOTICE