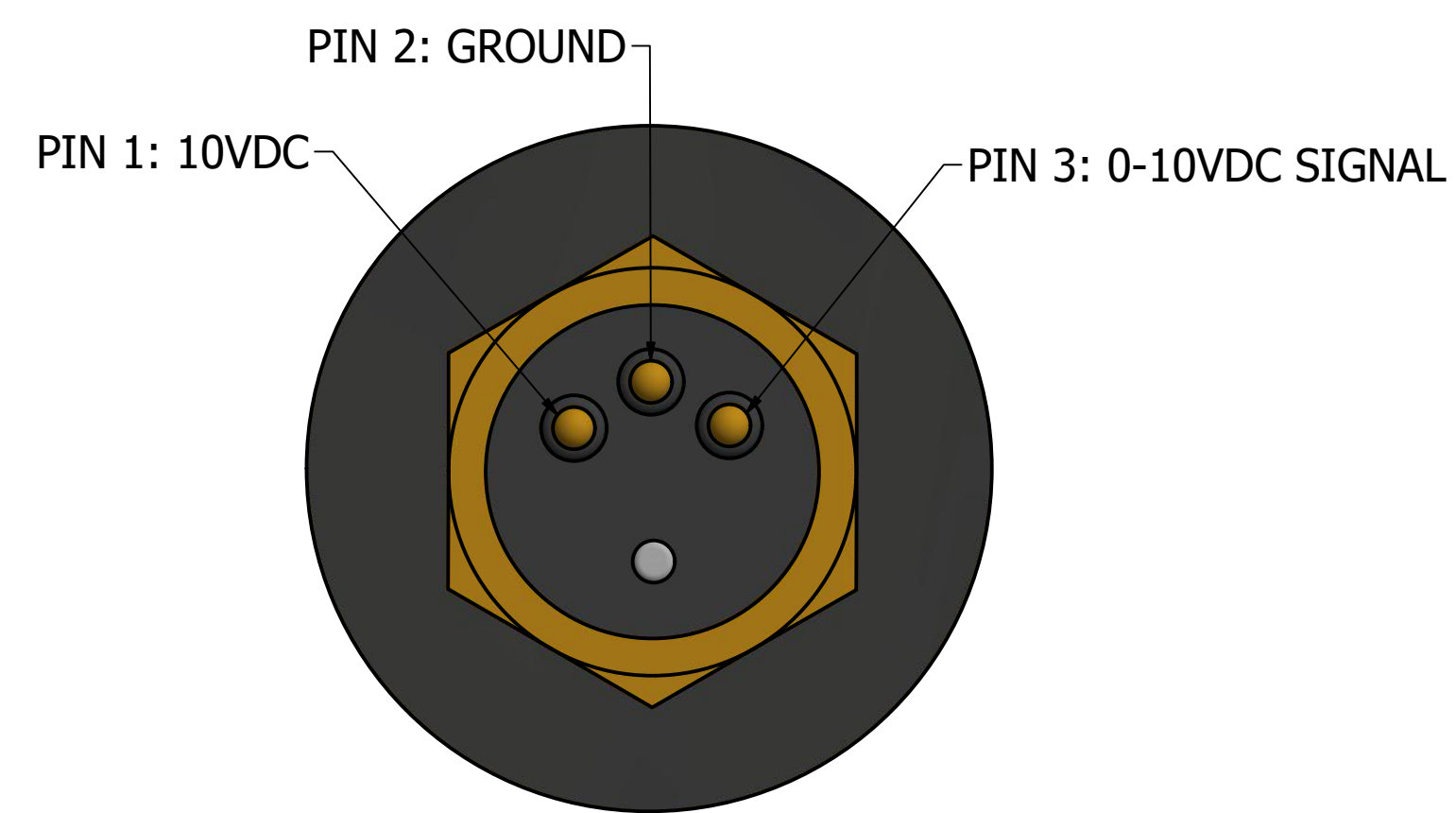
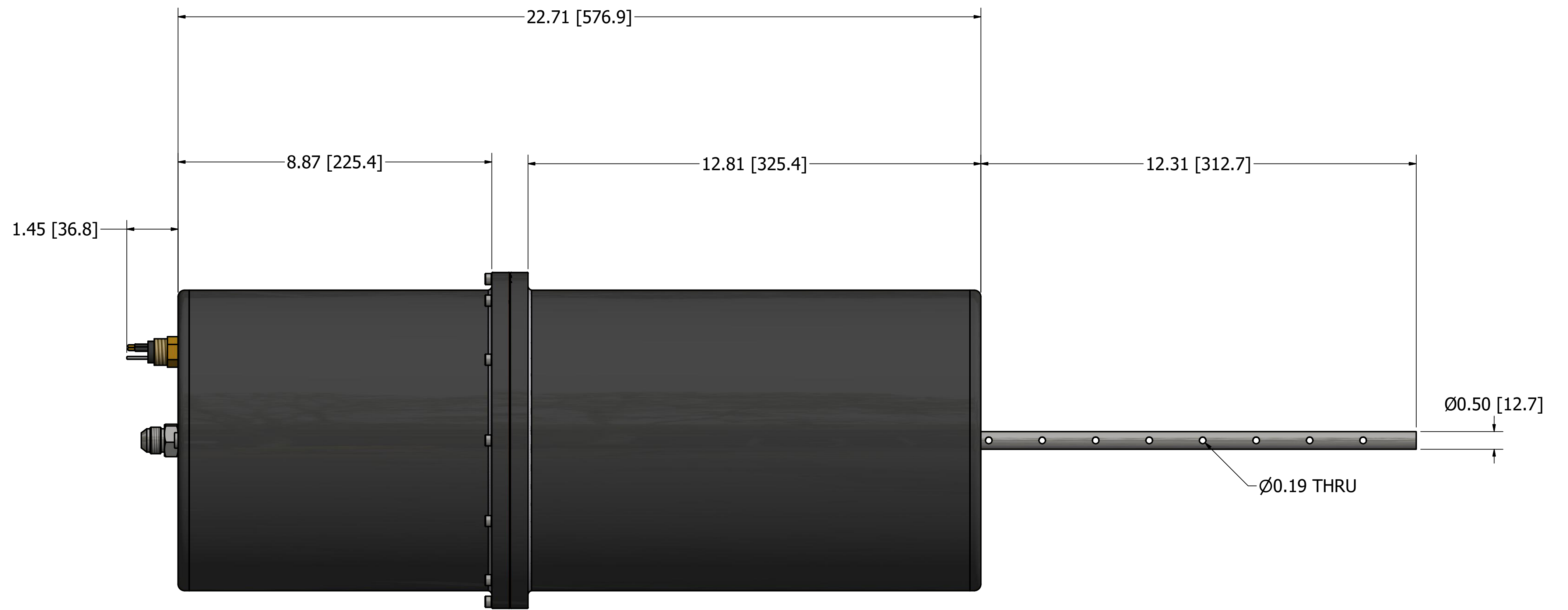



ZONE		REV	REVISION HISTORY	DATE	APPROVED
		A	Initial release	2/28/2017	BCL



DETAIL B
MCBH3M
(FACE VIEW)

DRAWN Anthony Fusco	1/31/2017	 9770 CARROLL CENTRE ROAD SUITE C SAN DIEGO, CALIFORNIA 92126, 858-586-9660 TITLE Top Assembly, Pressure Compensator, 6061, 4-8 psi, MCBH3M, PC12X	SIZE	DWG NO	REV
CHECKED B. Leap	2/28/2017		D	324-912-02	A
QA			SCALE		
MFG			SHEET 1 OF 2		
APPROVED					