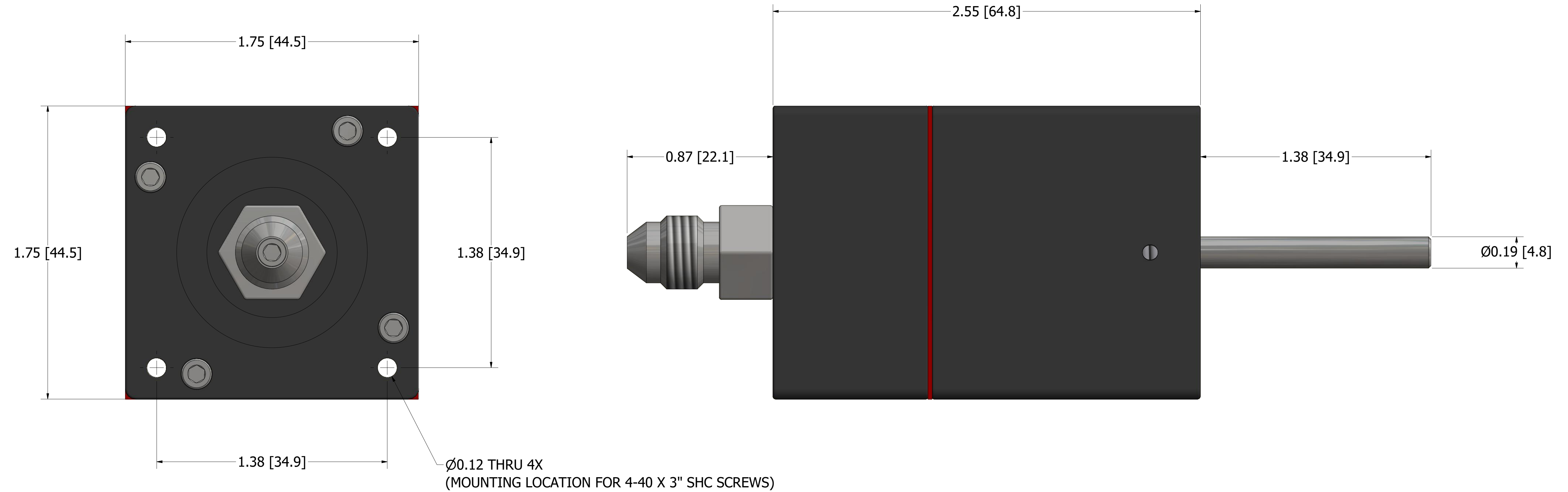



ZONE		REV	DESCRIPTION	DATE	APPROVED
		A	Initial release	5/26/2017	BCL
		B	Changed PS-J4GC fitting to modified version (324-525)	7/6/2017	AF



DRAWN Anthony Fusco	5/24/2017	 9770 CARROLL CENTRE ROAD SUITE C SAN DIEGO, CALIFORNIA 92126, 858-586-9660	TITLE	
CHECKED B. Leap	5/26/2017		Top Assembly, Pressure Compensator, 1-6psi, Delrin, PC1X	
QA		SIZE	DWG NO	REV
MFG		D	324-901-01	B
APPROVED		SCALE	SHEET 1 OF 2	