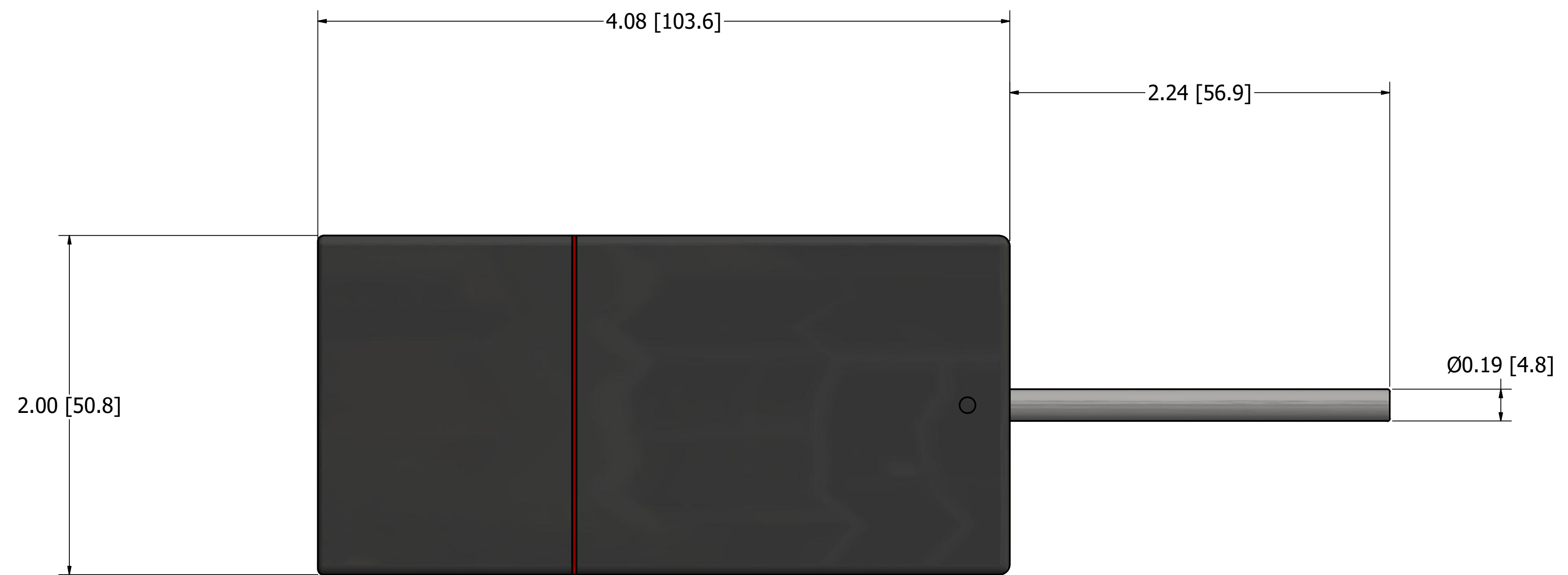
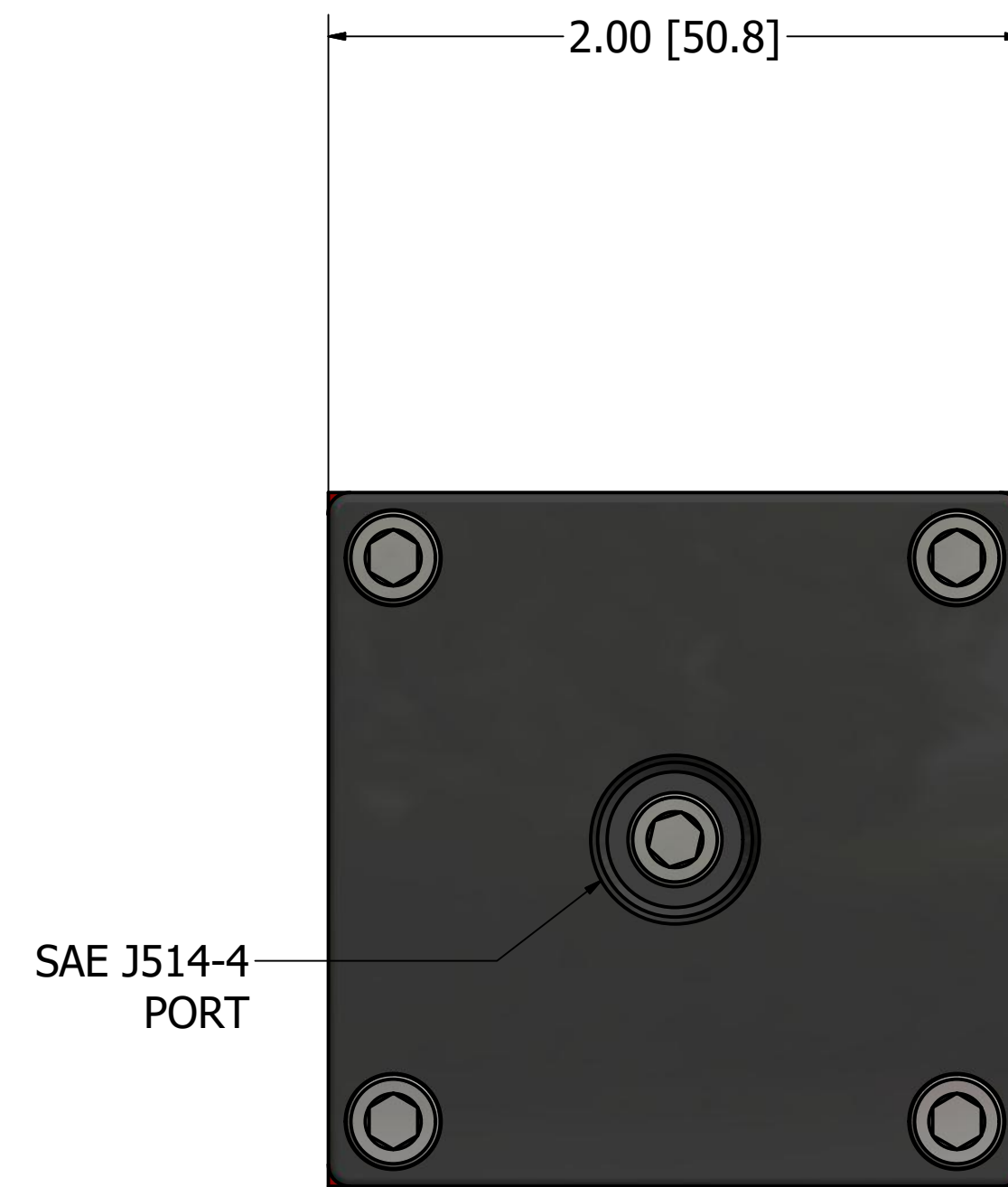



REVISION HISTORY				
ZONE	REV	DESCRIPTION	DATE	APPROVED
	A	Initial release	3/14/2017	BCL
	B	Updated piston p/n and spring dimensions	4/3/2017	AF



DRAWN Anthony Fusco	3/2/2017	 9770 CARROLL CENTRE ROAD SUITE C SAN DIEGO, CALIFORNIA 92126, 858-586-9660	TITLE	
CHECKED B. Leap	3/14/2017		Top Assembly, Pressure	
QA		Compensator, 8-15 psi, 6061, Model		
MFG		PC2X Pressure Compensator		
APPROVED		SIZE	DWG NO	REV
		D	324-902-07	B
		SCALE	SHEET 1 OF 2	