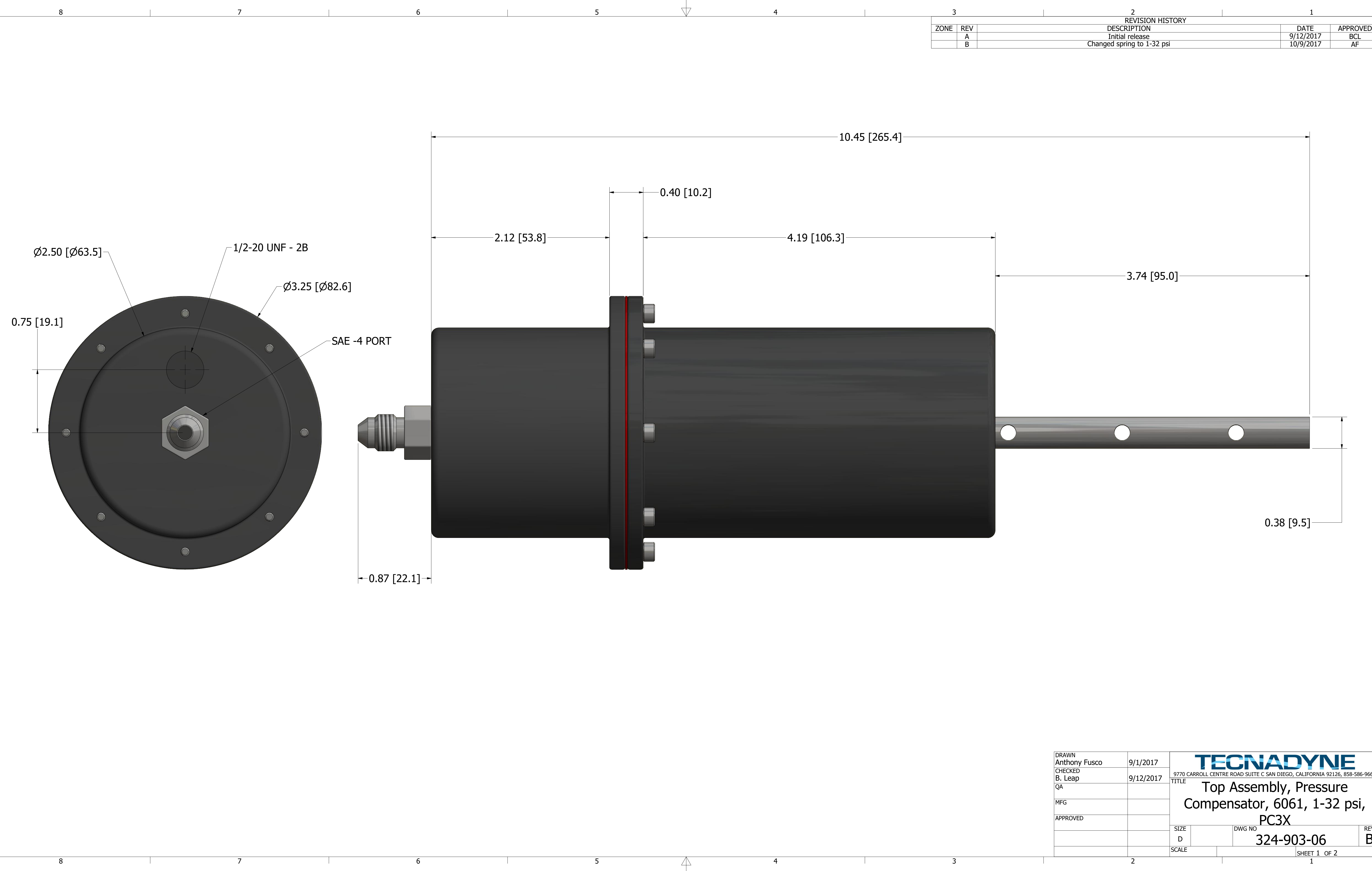


ZONE		REV	DESCRIPTION	DATE	APPROVED
		A	Initial release	9/12/2017	BCL
		B	Changed spring to 1-32 psi	10/9/2017	AF



DRAWN Anthony Fusco	9/1/2017	 9770 CARROLL CENTRE ROAD SUITE C SAN DIEGO, CALIFORNIA 92126, 858-586-9660	TITLE	
CHECKED B. Leap	9/12/2017		Top Assembly, Pressure Compensator, 6061, 1-32 psi, PC3X	
QA			SIZE	DWG NO
MFG			D	324-903-06
APPROVED		SCALE		REV B
				SHEET 1 OF 2