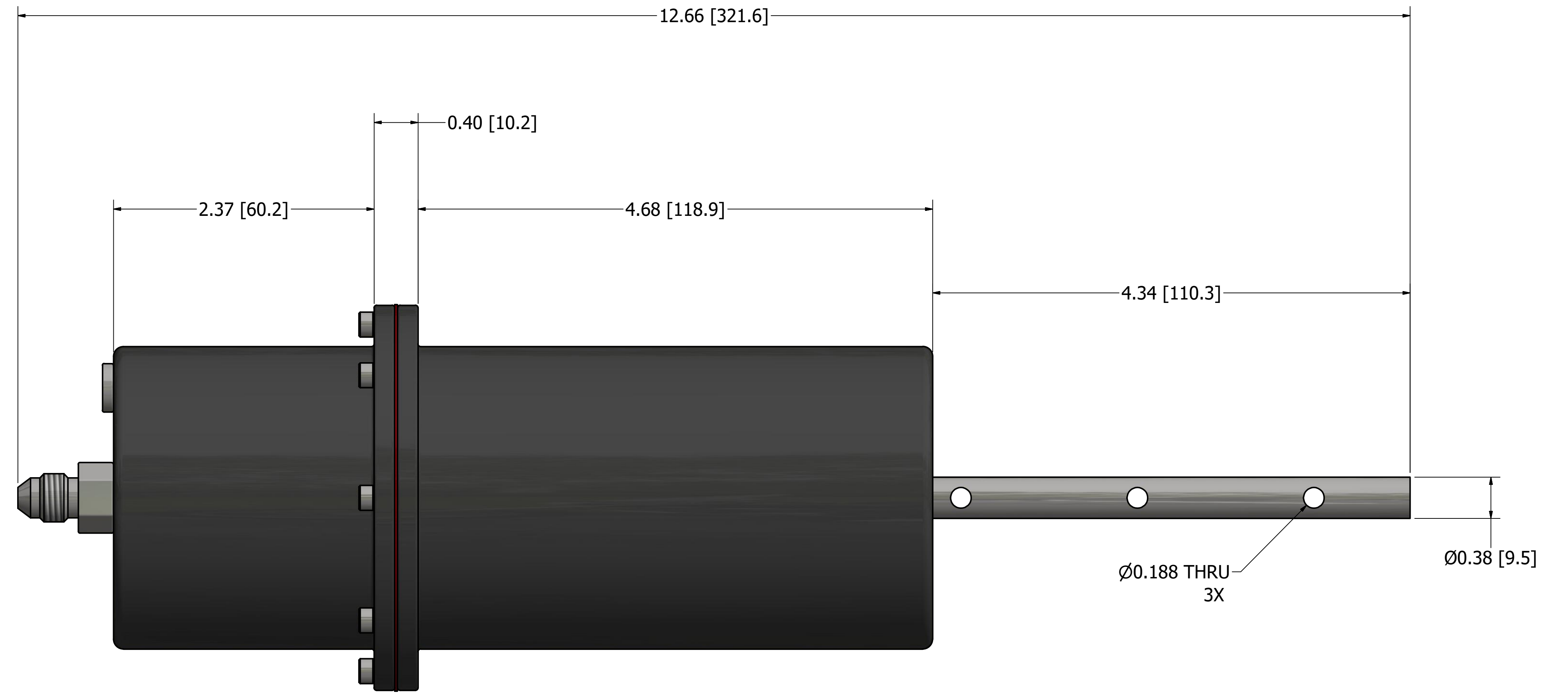
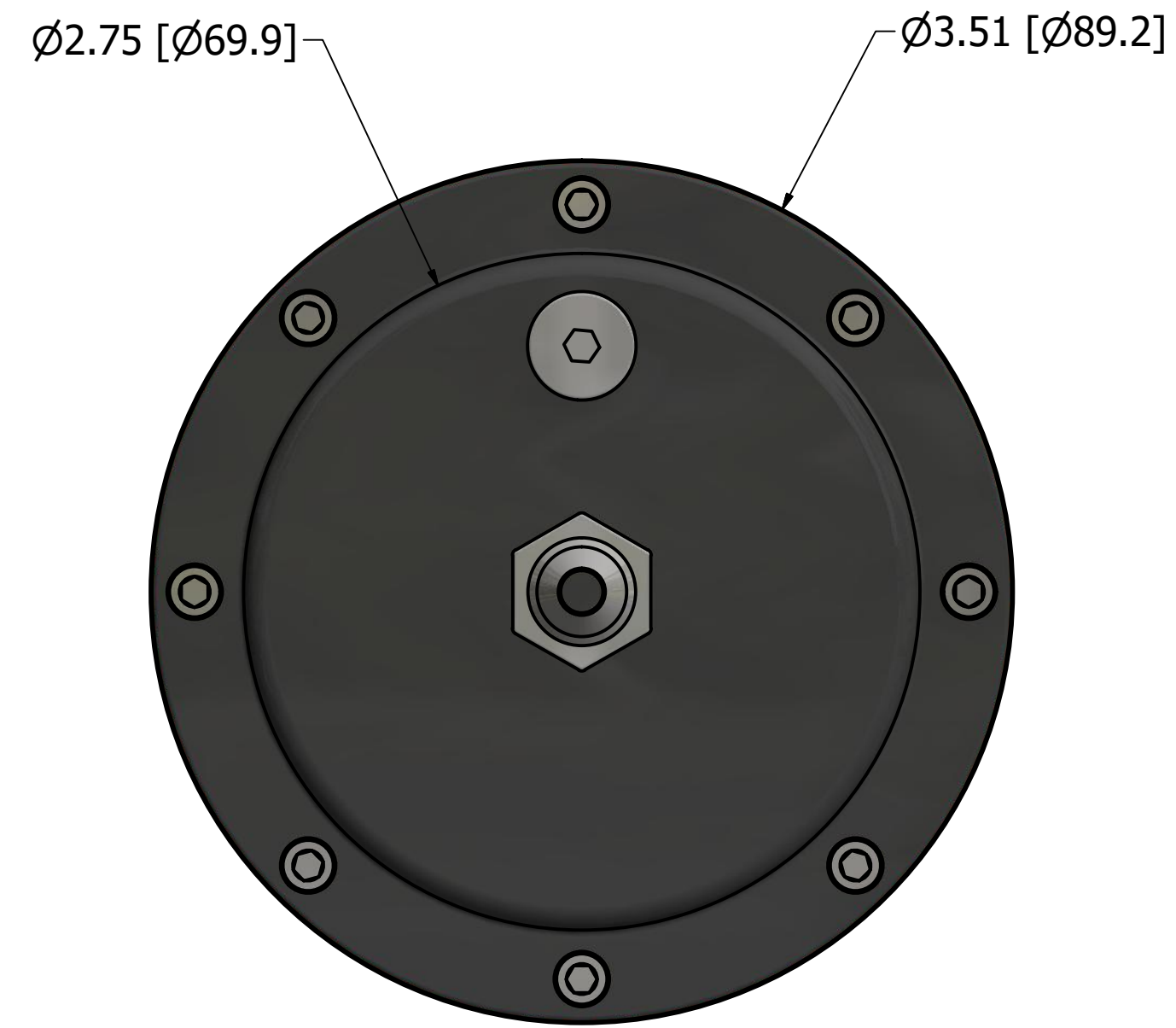



REVISION HISTORY				
ZONE	REV	DESCRIPTION	DATE	APPROVED
	A	Initial release	11/6/2017	BCL



DRAWN Anthony Fusco	10/31/2017	 9770 CARROLL CENTRE ROAD SUITE C SAN DIEGO, CALIFORNIA 92126, 858-586-9660	TITLE	
CHECKED B. Leap	11/6/2017		Top Assembly, Pressure Compensator, 0.5-7 psi, 6061, PC4X	
QA		SIZE	DWG NO	REV
MFG		D	324-904-02	A
APPROVED		SCALE	SHEET 1 OF 2	