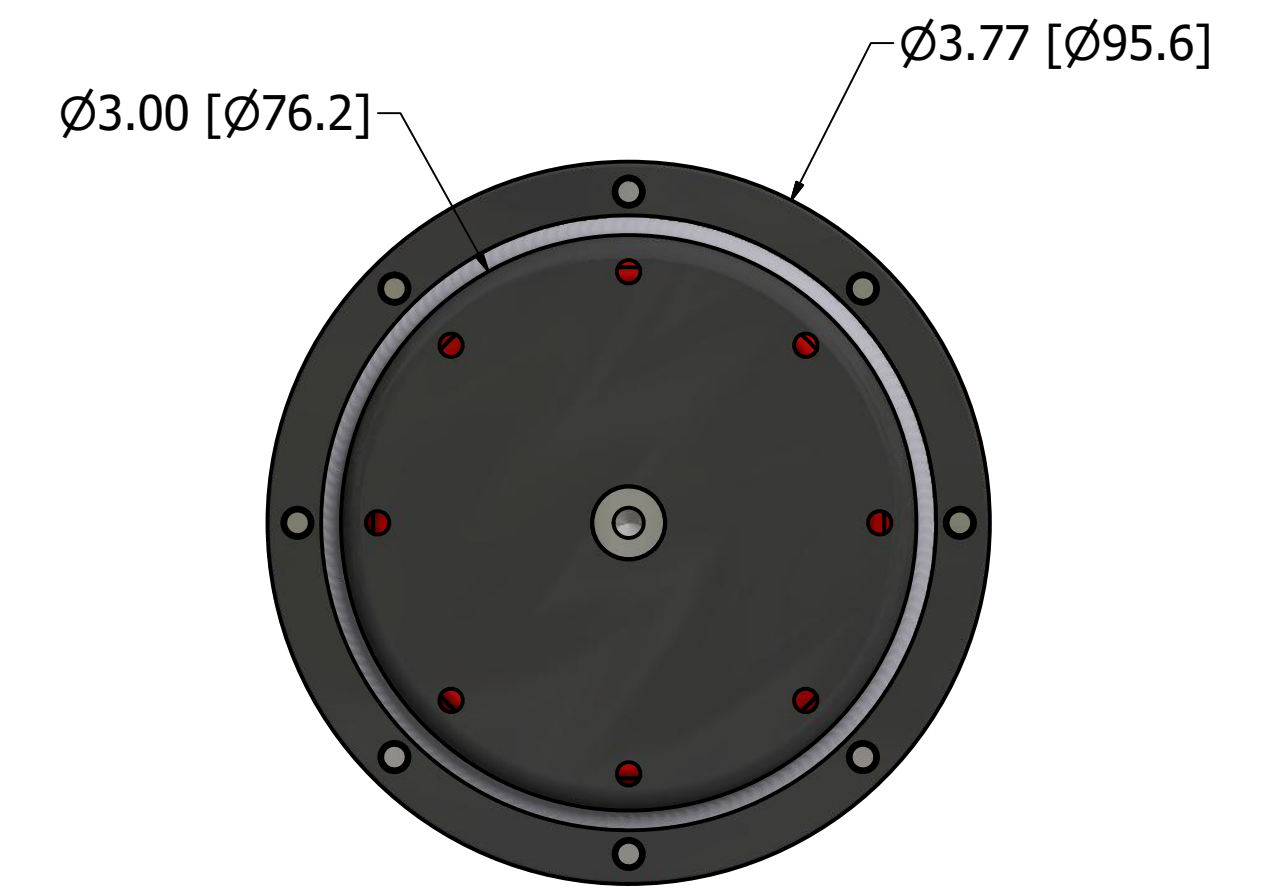
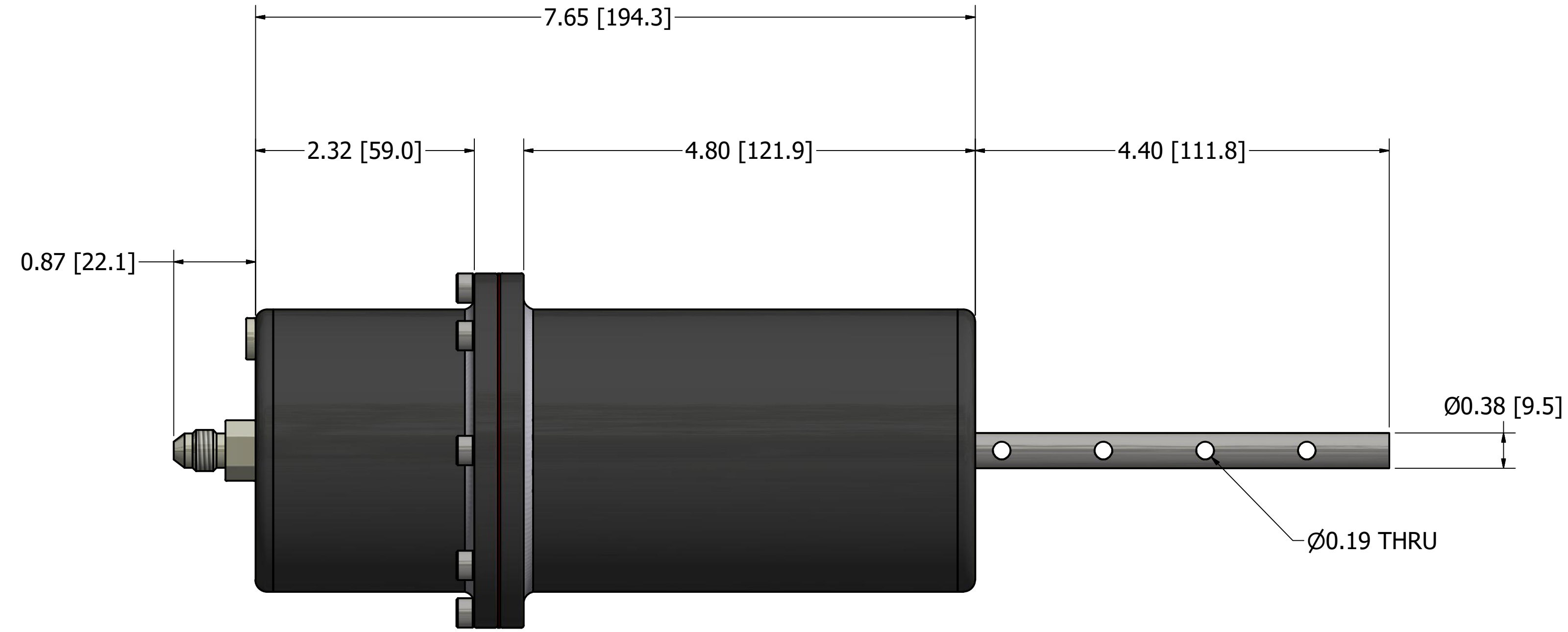
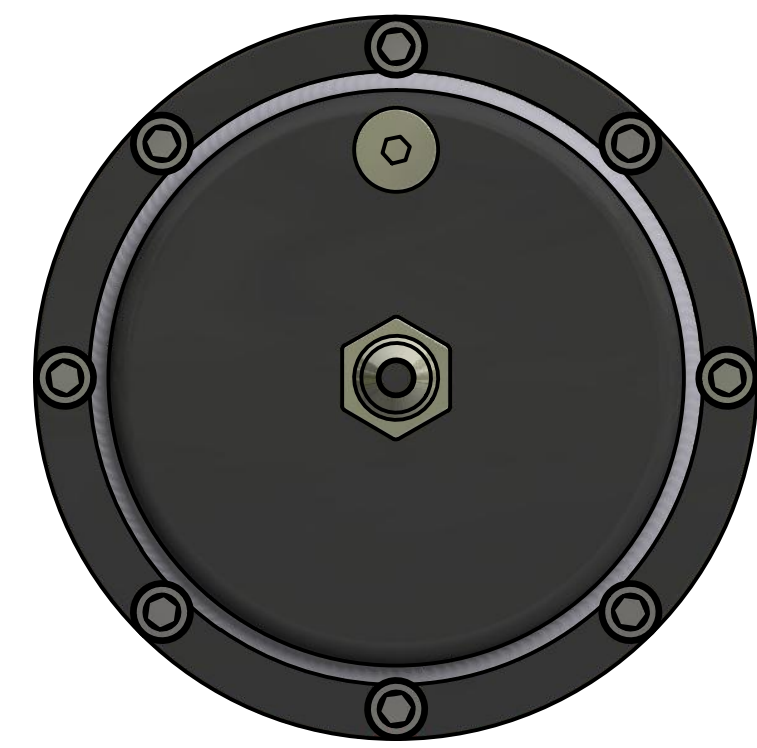



REVISION HISTORY				
ZONE	REV	DESCRIPTION	DATE	APPROVED
	A	Initial release	8/25/2016	BCL



DRAWN Anthony Fusco	8/24/2016	 9770 CARROLL CENTRE ROAD SUITE C SAN DIEGO, CALIFORNIA 92126, 858-586-9660 TITLE Top Assembly, Pressure Compensator, 1.5-9 psi, 6061, PC5X	SIZE	DWG NO	REV
CHECKED B. Leap	8/25/2016		D	324-905-01	A
QA			SCALE		
MFG			SHEET 1 OF 2		
APPROVED					