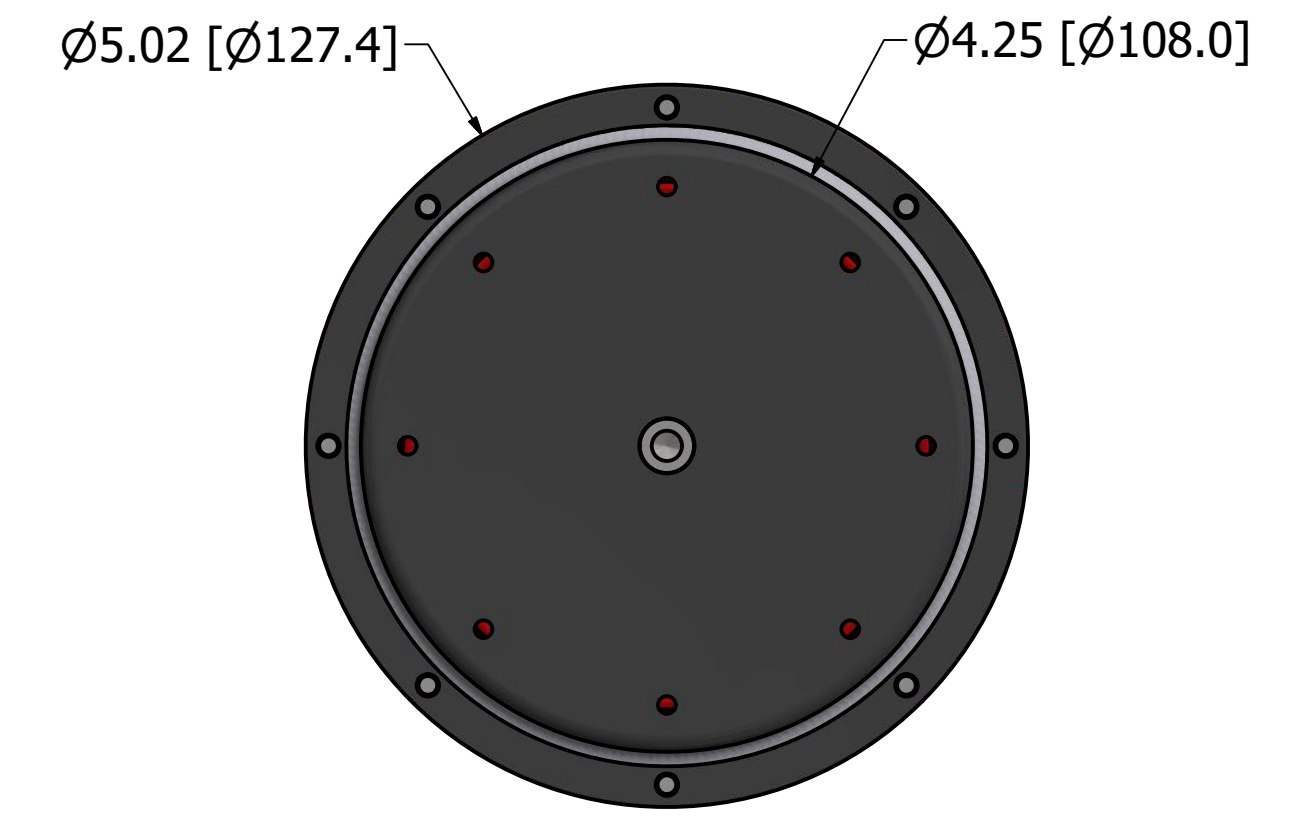
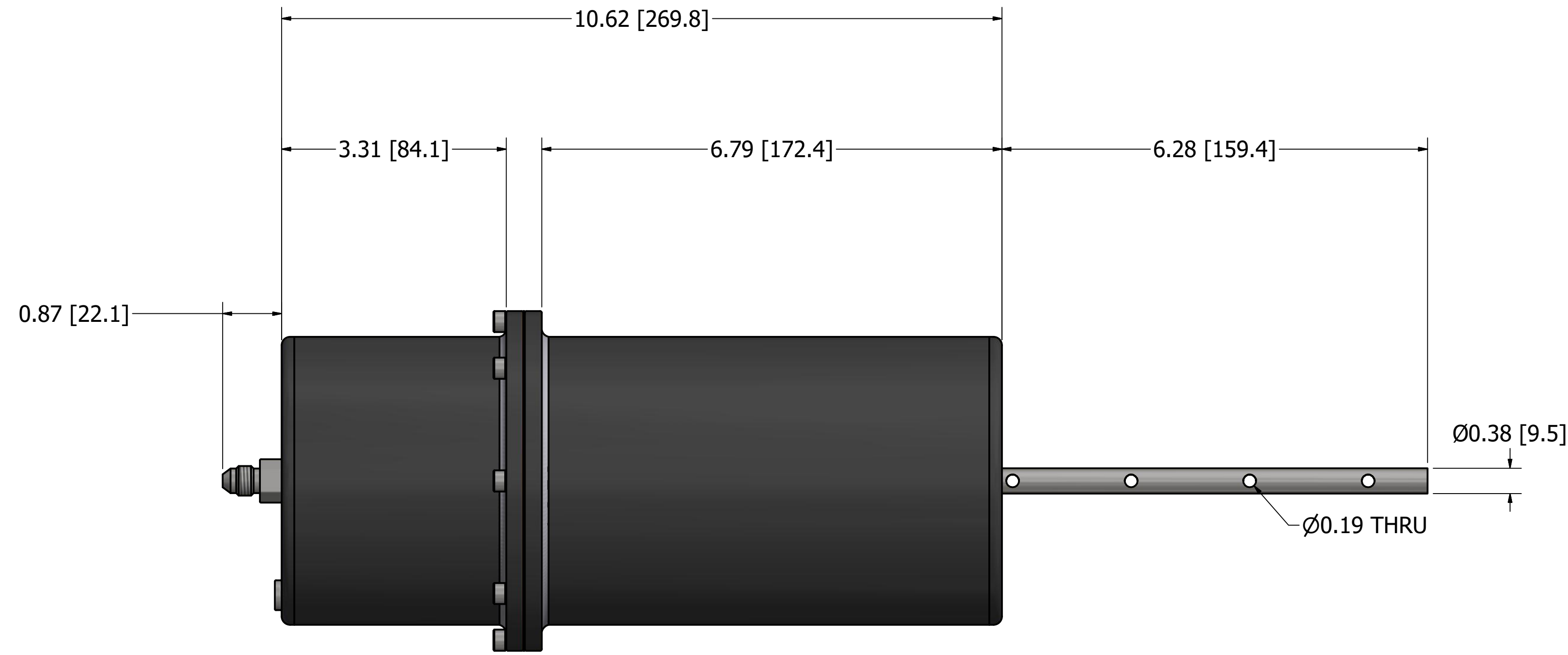
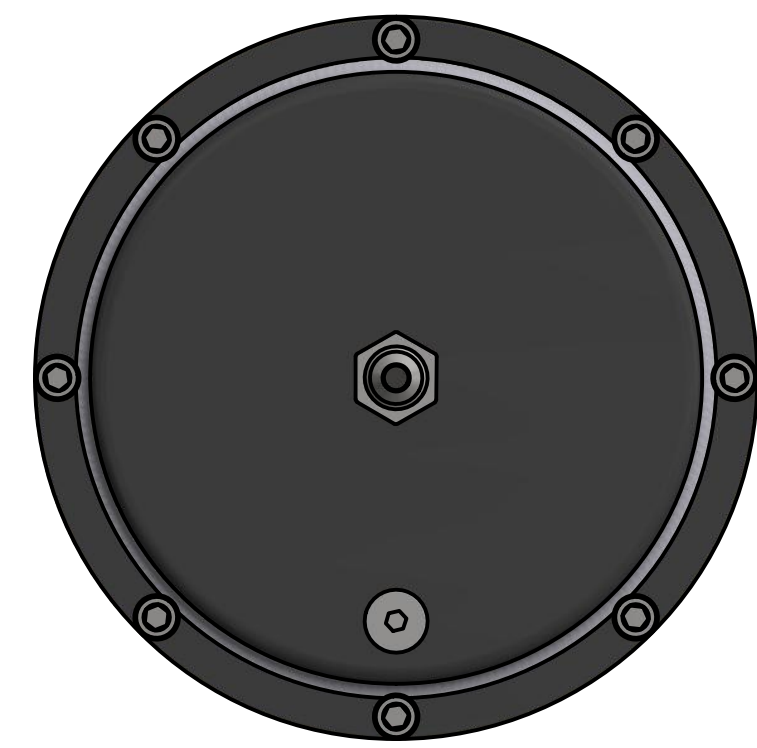



REVISION HISTORY				
ZONE	REV	DESCRIPTION	DATE	APPROVED
	A	Initial release	2/27/2017	BCL



DRAWN Anthony Fusco	1/3/2017	 9770 CARROLL CENTRE ROAD SUITE C SAN DIEGO, CALIFORNIA 92126, 858-586-9660	TITLE Top Assembly, Pressure Compensator, 1-7 psi, 6061, PC6X	
CHECKED B. Leap	2/27/2017			
QA		SIZE D	DWG NO 324-906-03	REV A
MFG		SCALE	SHEET 1 OF 2	
APPROVED				