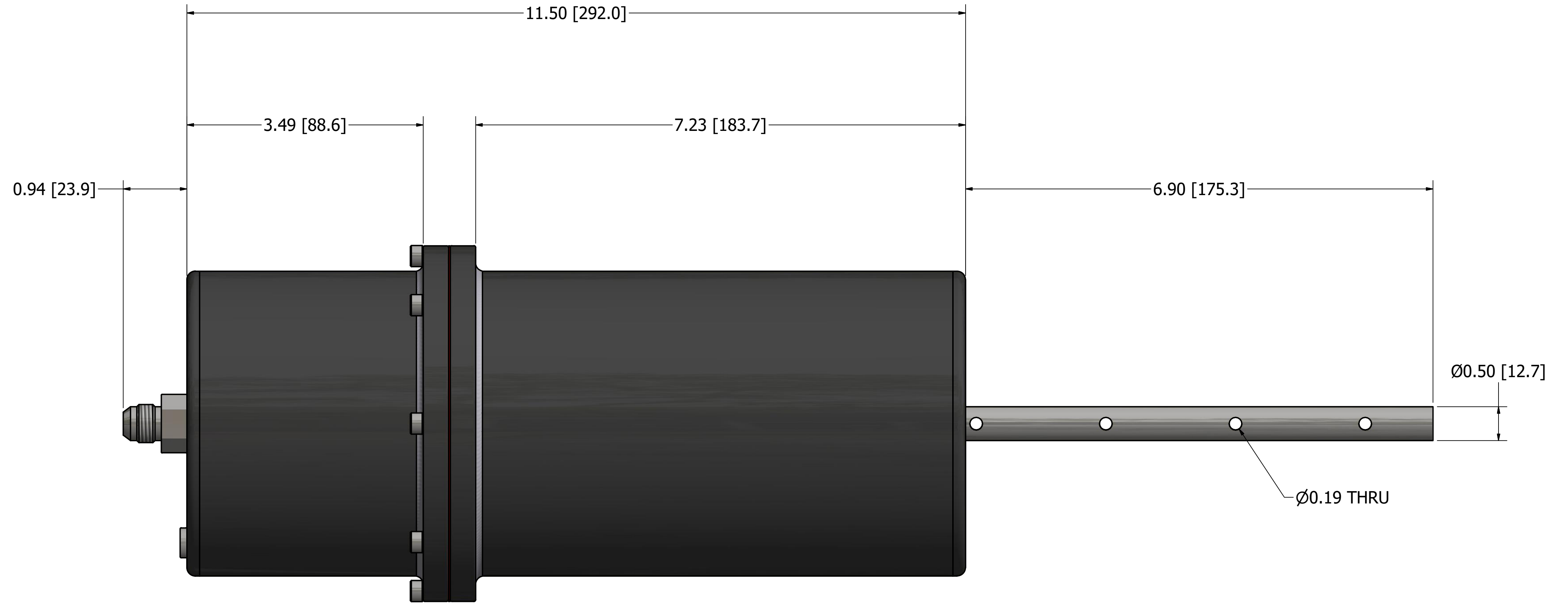
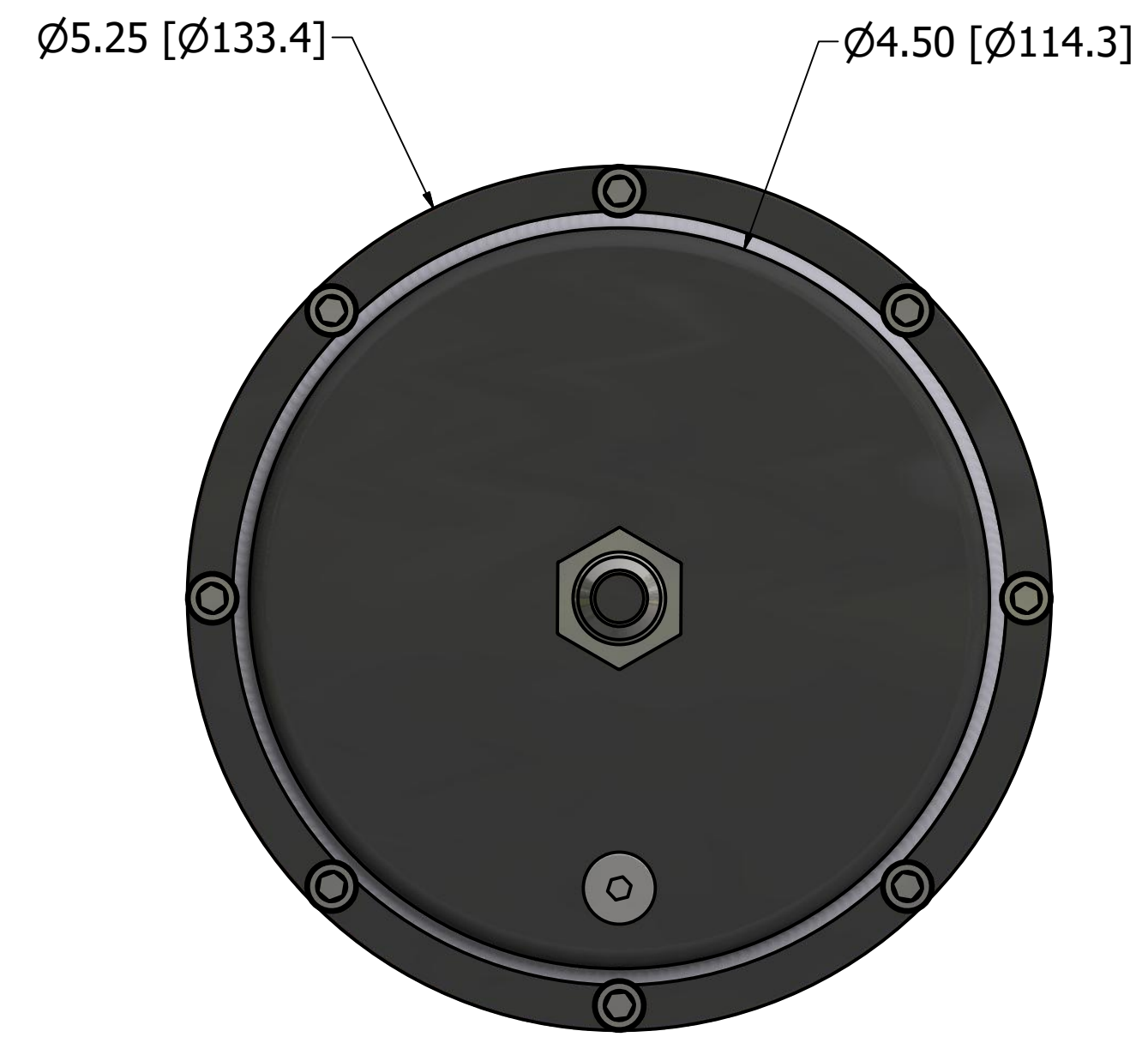



REVISION HISTORY				
ZONE	REV	DESCRIPTION	DATE	APPROVED
	A	Initial release	2/28/2017	BCL



DRAWN	Anthony Fusco	2/28/2017	 9770 CARROLL CENTRE ROAD SUITE C SAN DIEGO, CALIFORNIA 92126, 858-586-9660 <b>TITLE</b> <b>Top Assembly, Pressure</b> <b>Compensator, 4-8 psi, 6061,</b> <b>PC7X</b>		
CHECKED	B. Leap	2/28/2017			
QA					
MFG					
APPROVED					
SIZE	D	DWG NO	324-907-01	REV	A
SCALE		SHEET 1 OF 2			